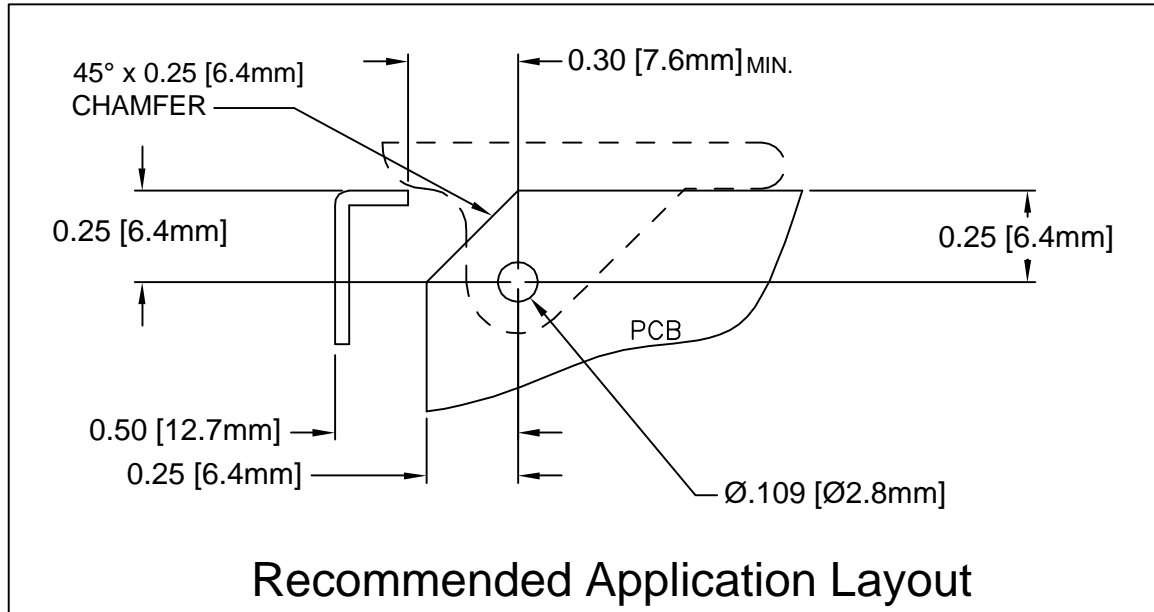
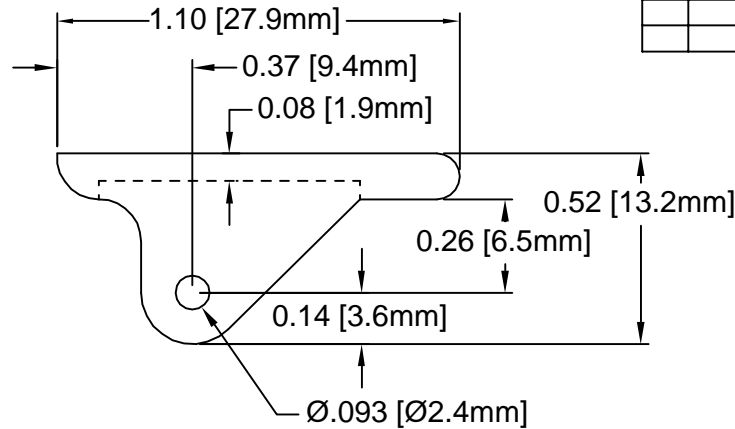
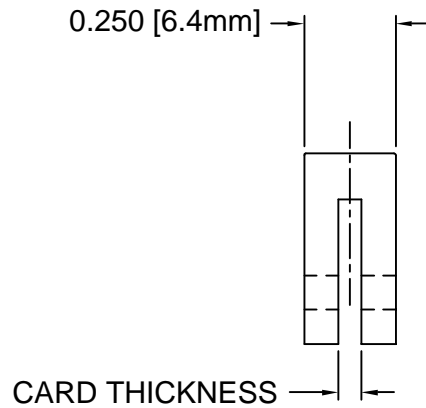



REV.	DESCRIPTION	DATE	APPROVED
F	Production Release.	02/24/04	M. C.



PART NO.	BIVAR MT'L CODE	CARD THICK.
CP-36 NT	03-NL (#2, Natural)	1/16" (1.6mm)
CP-36 BK	03-NL-BK (#3, Black)	
CP-36 WE	04-WE (#4, White)	
CP-39 NT	03-NL (#2, Natural)	3/32" (2.4mm)
CP-39 BK	03-NL-BK (#3, Black)	
CP-39 WE	04-WE (#4, White)	

Recommended Application Layout

4. MATERIAL: NYLON 6/6, 94V-2, WHITE. BIVAR MATERIAL CODE 04-WE. BASF ULTRAMID NYLON 6/6 A3K WHITE.
3. MATERIAL: NYLON 6/6, 94V-2, BLACK. BIVAR MATERIAL CODE 03-NL-BK. BASF ULTRAMID NYLON 6/6 A3K NATURAL W/BLACK PIGMENT ADDED.
2. MATERIAL: NYLON 6/6, 94V-2, NATURAL. BIVAR MATERIAL CODE 03-NL. BASF ULTRAMID NYLON 6/6 A3K NATURAL.
1. GENERAL SPECIFICATIONS: BIVAR MOLDED COMPONENT SPECIFICATION BV00-E101.

STANDARD TOLERANCE (UNLESS OTHERWISE SPECIFIED)		BIVAR®	
DECIMALS	ANGULAR	4 THOMAS, IRVINE, CA. 92618 TEL: (949) 951-8808 FAX: (949) 951-3974	
.X ± .1	X° ± 1°	 TITLE: CIRCUIT BOARD CARD EJECTOR	
.XX ± .01			
.XXX ± .005			
DESIGNED: Shane Irving	DATE: 05/19/98	PART NO: CP-3X	REVISION: F
CHECKED: M. Chen	DATE: 09/09/03	CAGE CODE : 32559	SHEET # 1 OF 1