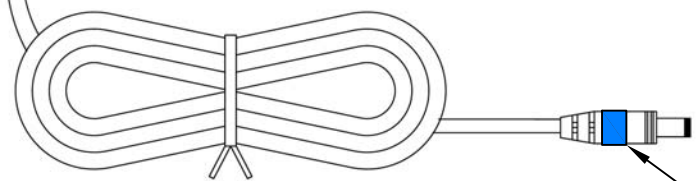
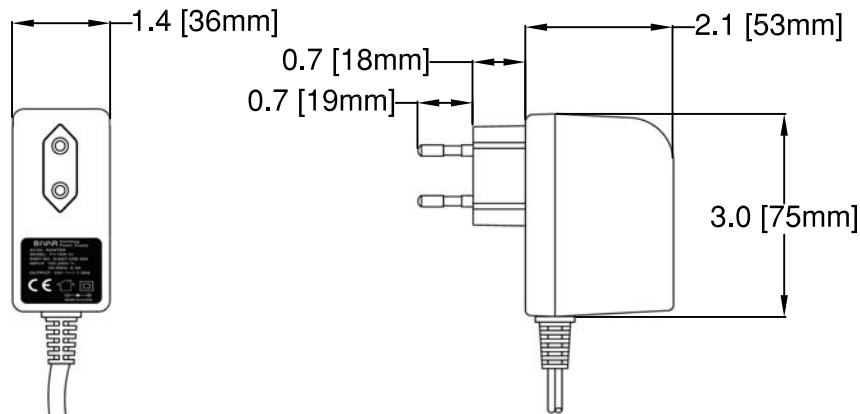


REV.	DESCRIPTION	DATE	APPROVED
A	Engineering Release.	08/19/09	T. Y.
B	Model Update.	10/01/09	T. Y.



WIRE LENGTH = 1500mm



PLUG POLARITY

BLUE HEAT SHRINK TUBING
3/8" to 3/16" x 0.150" OR EQUIVALENT



BIVAR PN: EIADT-VDE-004

ELECTRICAL CHARACTERISTICS

NO	ITEM	SPECIFICATION
1	Nominal AC Input Range	100 to 240VAC
2	Input Voltage Range	90 -264 VAC
3	Input Frequency	50/60 Hz at any load
4	AC Input Current	0.30 Amps at full load and any input voltage
5	Nominal Output Voltage	12 VDC
6	Output Voltage Range	11.40 - 12.60 VDC at any input voltage and load
7	Maximum Output Current	1.25A
8	Line Regulation	±1% max. at any input voltage and max. load
9	Load Regulation	±5% max. at 220VAC input voltage
10	Ripple and Noise	120 mVp-p max. at input voltage and any load
11	Efficiency	Min. 75% at any input and max. load
12	Output Short Circuit Protection	Hiccup, Self-Recovering
13	Over Current Protection	2.00A max. at 220VAC input voltage
14	Operating Temperature	0°C to +40°C at full load and natural convection
15	Storage Temperature	-10°C to +70°C
16	Operating Humidity	10 - 90%RH
17	Storage Humidity	5 - 95%RH non-condensing
18	Withstand Voltage (Hi-Pot)	I/P to O/P: 3.0KVAC (60s), set cut-off current to 10mA
19	EM/RFI Standard	EN55022B/FCC
20	Safety Standard	CE certified



**Mating Connector:
5.5 x 2.1 x 11mm DC Jack**

STANDARD TOLERANCE (UNLESS OTHERWISE SPECIFIED)		 BIVAR [®] 4 THOMAS, IRVINE, CA. 92618 TEL: (949) 951-8808 FAX: (949) 951-3974	
DECIMALS	ANGULAR		
.X ± .2	X° ± 1°		
.XX ± .02			TITLE: 12V Wide Range, UL Approved, Universal Regulated Switching Power Supply
.XXX ± .010			PART NO: EIADT-VDE-004
DESIGNED: Raffy Paje	DATE: 08/19/09	REVISION: B	CAGE CODE : 32559
CHECKED: T. Yin	DATE: 08/19/09	SHEET # 1 OF 1	CAD GENERATED DOCUMENT, DO NOT MEASURE DRAWING.