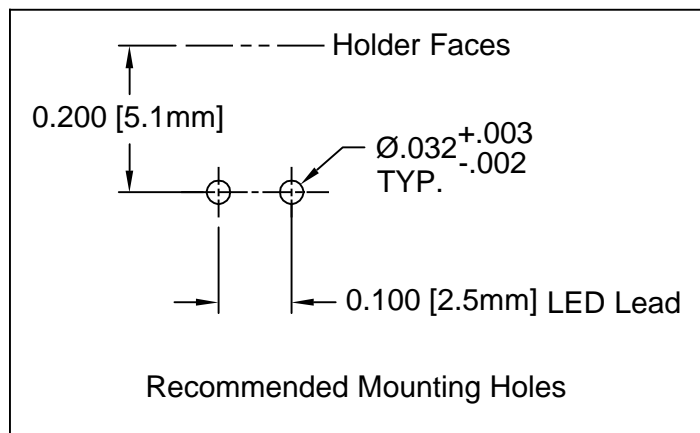
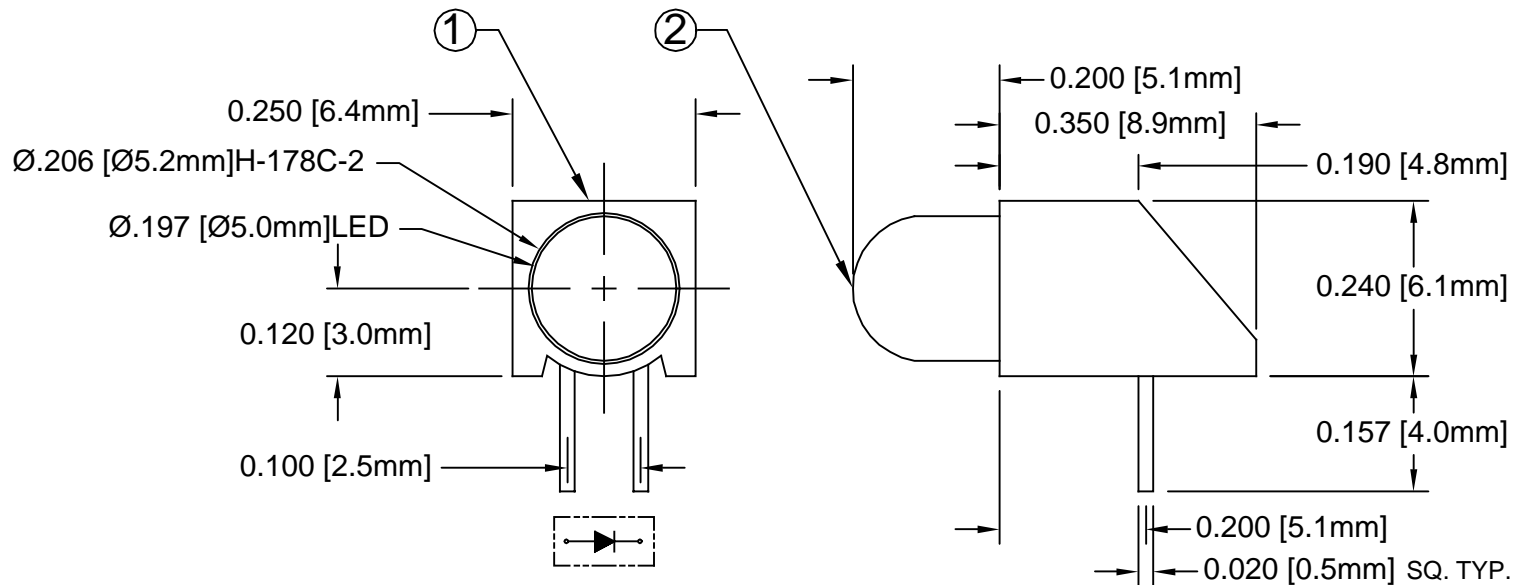



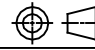
ITEM	Q'TY	PART NUMBER	PART DESCRIPTION
1	1	H-178C-2	T-1¼ (5mm) LED Holder, 90° Mount
2	1	5XX	T-1¼ (5mm) Non-Flange LED, See Page 2

REV.	DESCRIPTION	DATE	APPROVED
A	Engineering Update w/o Changes	03/05/04	M. C.
B	Added H178CAD	02/18/05	M. C.
C	Change LED Holder To H-178C-2	11/08/05	M. C.
D	Updated LED Protrusion from .215 to .200	01/09/07	M. C.
E	Corrected Typo	02/13/07	M. C.





ABSOLUTE MAXIMUM RATINGS (Ta=25° C)

REVERSE VOLTAGE	_____	5V
REVERSE CURRENT	_____	100µA
OPERATING TEMPERATURE RANGE	_____	-25° C - 85° C
STORAGE TEMPERATURE	_____	-30° C - 100° C
LEAD SOLDERING TEMPERATURE (1/16" FROM BODY)	_____	260° C FOR 5 SECONDS

STANDARD TOLERANCE (UNLESS OTHERWISE SPECIFIED)		 4 THOMAS, IRVINE, CA. 92618 TEL: (949) 951-8808 FAX: (949) 951-3974			
DECIMALS	ANGULAR				
.X ±.1	X° ±1°		TITLE: T-1¼ (5MM) 90° SINGLE-LEVEL LED ASSY		
.XX ±.02				DESIGNED: Ty Yin DATE: 03/05/04	PART NO: H178CXX REVISION: E
.XXX ±.010				CHECKED: D. Green DATE: 03/05/04	CAGE CODE : 32559 SHEET # 1 OF 2
CAD GENERATED DOCUMENT, DO NOT MEASURE DRAWING.					

REV.	DESCRIPTION	DATE	APPROVED
	SEE SHEET#1.		

LED Assy. No.	Peak Wave Length λ_p (nm)	Emitted Color	Lens Appearance	Electro-Optical Data				Viewing Angle $2\theta \frac{1}{2}$ (Deg)	LED P/N
				If (mA)	Vf (V)		Iv (mcd)		
				TYP	TYP	MAX	TYP		
STANDARD				Data @ 20mA					
H178CBWD	430	BLUE	DIFFUSED	20	4.0	4.5	20	45	5BWD
H178CGD	565	GREEN	DIFFUSED	20	2.2	2.6	30	45	5GD
H178CYD	585	YELLOW	DIFFUSED	20	2.1	2.6	20	45	5YD
H178CAD	610	AMBER	DIFFUSED	20	2.2	2.6	45	45	5AD
H178CHD	635	HE RED	DIFFUSED	20	2.0	2.6	30	45	5HD
H178CRD	655	RED	DIFFUSED	20	1.7	2.0	6	45	5RD
H178CSR	655	SUPER RED	DIFFUSED	20	1.7	2.6	90	45	5SRD
LOW CURRENT				Data @ 2mA					
H178CGDL	565	GREEN	DIFFUSED	2	1.8	2.2	3	45	5GDL
H178CYDL	585	YELLOW	DIFFUSED	2	1.9	2.2	3	45	5YDL
H178CHDL	635	HE RED	DIFFUSED	2	1.8	2.2	3	45	5HDL
5 VOLT				Data @ 5V					
H178CGD5V	565	GREEN	DIFFUSED	10	-	5.0	25	45	5GD5V
H178CYD5V	585	YELLOW	DIFFUSED	10	-	5.0	20	45	5YD5V
H178CHD5V	635	HE RED	DIFFUSED	10	-	5.0	50	45	5HD5V

STANDARD TOLERANCE (UNLESS OTHERWISE SPECIFIED) $\pm 10\%$ ALL VALUES		 BIVAR [®] 4 THOMAS, IRVINE, CA. 92618 TEL: (949) 951-8808 FAX: (949) 951-3974	
ANGULAR X° \pm 5°			
		TITLE: T-1¼ (5MM) 90° SINGLE-LEVEL LED ASSY	
DESIGNED: Ty Yin	DATE: 03/05/04	PART NO: H178CXX	REVISION: E
CHECKED: D. Green	DATE: 03/05/04	CAGE CODE : 32559	SHEET # 2 OF 2
CAD GENERATED DOCUMENT, DO NOT MEASURE DRAWING.			