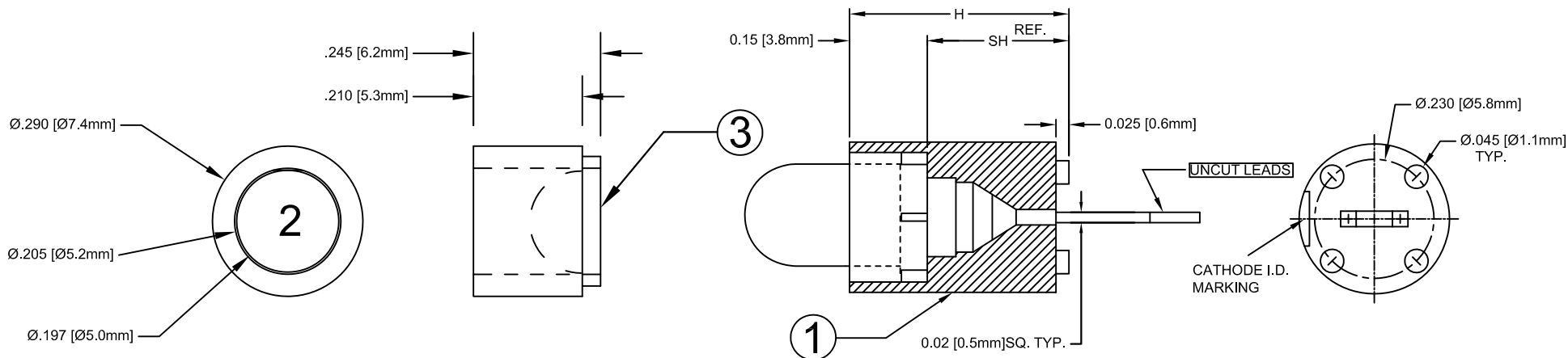


ITEM	Q'TY	PART NUMBER	PART DESCRIPTION
1	1	SLM-XXX	Molded Self-Retaining LED Mount
2	1	5XX5V-F	T-1¾ (5mm) Flanged LED, 5 Volt
3	1	LS-1	Light Shield

REV.	DESCRIPTION	DATE	APPROVED
A	Engineering Release.	01/22/08	M. C.
B	Updated Uncut Leads	03/14/08	M. C.
C	Updated Uncut Leads Note	12/24/08	T. Y.



PART NO.	SH (Ref.)	H
SLM-140	.140 (3.6mm)	.285 (7.1mm)
SLM-150	.150 (3.8mm)	.295 (7.2mm)
SLM-160	.160 (4.1mm)	.305 (7.7mm)
SLM-170	.170 (4.3mm)	.315 (8.0mm)
SLM-180	.180 (4.6mm)	.325 (8.3mm)
SLM-190	.190 (4.8mm)	.335 (8.5mm)
SLM-200	.200 (5.1mm)	.345 (8.8mm)
SLM-210	.210 (5.3mm)	.355 (9.0mm)
SLM-220	.220 (5.6mm)	.365 (9.3mm)
SLM-230	.230 (5.8mm)	.375 (9.5mm)
SLM-240	.240 (6.1mm)	.385 (9.8mm)
SLM-250	.250 (6.4mm)	.395 (10.0mm)
SLM-260	.260 (6.6mm)	.405 (10.3mm)
SLM-270	.270 (6.9mm)	.415 (10.5mm)

PART NO.	SH (Ref.)	H
SLM-280	.280 (7.1mm)	.425 (10.8mm)
SLM-290	.290 (7.4mm)	.435 (11.0mm)
SLM-300	.300 (7.6mm)	.445 (11.3mm)
SLM-310	.310 (7.9mm)	.455 (11.6mm)
SLM-320	.320 (8.1mm)	.465 (11.8mm)
SLM-330	.330 (8.4mm)	.475 (12.1mm)
SLM-340	.340 (8.6mm)	.485 (12.3mm)
SLM-350	.350 (8.9mm)	.495 (12.6mm)
SLM-360	.360 (9.1mm)	.505 (12.8mm)
SLM-370	.370 (9.4mm)	.515 (13.1mm)
SLM-380	.380 (9.7mm)	.525 (13.3mm)
SLM-390	.390 (9.9mm)	.535 (13.6mm)
SLM-400	.400 (10.2mm)	.545 (13.8mm)
SLM-410	.410 (10.4mm)	.555 (14.1mm)

PART NO.	SH (Ref.)	H
SLM-420	.420 (10.7mm)	.565 (14.3mm)
SLM-430	.430 (10.9mm)	.575 (14.6mm)
SLM-440	.440 (11.2mm)	.585 (14.9mm)
SLM-450	.450 (11.4mm)	.595 (15.1mm)
SLM-470	.470 (11.9mm)	.615 (15.6mm)
SLM-490	.490 (12.4mm)	.635 (16.1mm)
SLM-510	.510 (13.0mm)	.655 (16.6mm)
SLM-530	.530 (13.5mm)	.675 (17.1mm)
SLM-550	.550 (13.8mm)	.695 (17.5mm)
SLM-570	.570 (14.5mm)	.715 (18.2mm)
SLM-590	.590 (15.0mm)	.735 (18.6mm)
SLM-610	.610 (15.5mm)	.755 (19.2mm)
SLM-630	.630 (16.0mm)	.775 (19.7mm)
SLM-650	.650 (16.5mm)	.795 (20.2mm)

PART NO.	SH (Ref.)	H
SLM-670	.670 (17.0mm)	.815 (20.7mm)
SLM-690	.690 (17.5mm)	.835 (21.2mm)
SLM-710	.710 (18.0mm)	.855 (21.7mm)
SLM-730	.730 (18.5mm)	.875 (22.2mm)
SLM-750	.750 (19.1mm)	.895 (22.7mm)
SLM-770	.770 (19.6mm)	.915 (23.2mm)
SLM-790	.790 (20.1mm)	.935 (23.7mm)
SLM-810	.810 (20.6mm)	.955 (24.3mm)
SLM-830	.830 (21.1mm)	.975 (24.8mm)
SLM-850	.850 (21.6mm)	.995 (25.3mm)
SLM-870	.870 (22.1mm)	1.015 (25.8mm)
SLM-890	.890 (22.6mm)	1.035 (26.3mm)

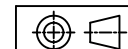
ABSOLUTE MAXIMUM RATINGS (Ta = 25°C)

REVERSE VOLTAGE _____	7V
REVERSE CURRENT _____	100µA
OPERATING TEMPERATURE RANGE _____	-25°C ~ 85°C
STORAGE TEMPERATURE _____	-30°C ~ 100°C
LEAD SOLDERING TEMPERATURE (1/16" FROM BODY) _____	260°C for 5 Seconds

STANDARD TOLERANCE (UNLESS OTHERWISE SPECIFIED)	
DECIMALS	ANGULAR
.X ± .1	X° ± 1°
.XX ± .01	
.XXX ± .005	



4 THOMAS, IRVINE, CA. 92618
TEL: (949) 951-8808 FAX: (949) 951-3974



TITLE: MOLDED, SELF-RETAINING LED ASSEMBLY W/ LIGHT SHIELD


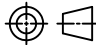
DESIGNED: Raffy Paje	DATE: 01/22/08
CHECKED: T. Yin	DATE: 01/22/08

PART NO: SLMXXX5XX5V-LS	REVISION: C
CAGE CODE : 32559	SHEET # 1 OF 2

CAD GENERATED DOCUMENT. DO NOT MEASURE DRAWING.

REV.	DESCRIPTION	DATE	APPROVED
	SEE SHEET#1.		

LED Part No.	Chip			Lens Appearance	Absolute Max. Ratings		Electro-Optical Data @ 5V		Viewing Angle 2 θ $\frac{1}{2}$ (Deg)
	Material	Peak Wave Length λ_p (nm)	Emitted Color		If (mA)	Peak If(mA)	Vf (V)	Iv (mcd)	
							MAX	TYP	
5BWD5V-F	GaN/SiC	468	BLUE	DIFFUSED	8	12	5.0	500.0	35
5GD5V-F	GaP/GaP	565	GREEN	DIFFUSED	8	12	5.0	25.0	45
5YD5V-F	GaAsP/GaP	585	YELLOW	DIFFUSED	8	12	5.0	20.0	45
5AD5V-F	GaAsP/GaP	610	AMBER	DIFFUSED	8	12	5.0	60.0	45
5HD5V-F	GaAsP/GaP	635	HE RED	DIFFUSED	8	12	5.0	50.0	45
5RD5V-F	GaAsP/GaP	655	RED	DIFFUSED	8	12	5.0	15.0	45

STANDARD TOLERANCE (UNLESS OTHERWISE SPECIFIED) $\pm 10\%$ ALL VALUES		 BIVAR [®] 4 THOMAS, IRVINE, CA. 92618 TEL: (949) 951-8808 FAX: (949) 951-3974	
.X $\pm .1$	ANGULAR X° $\pm 5^\circ$		
.XX $\pm .01$		TITLE: MOLDED, SELF-RETAINING LED ASSEMBLY W/ LIGHT SHIELD	
.XXX $\pm .005$			
DESIGNED: Raffy Paje	DATE: 01/22/08	PART NO: SLMXXX5XX5V-LS	REVISION: C
CHECKED: T. Yin	DATE: 01/22/08		CAGE CODE : 32559
CAD GENERATED DOCUMENT, DO NOT MEASURE DRAWING.			