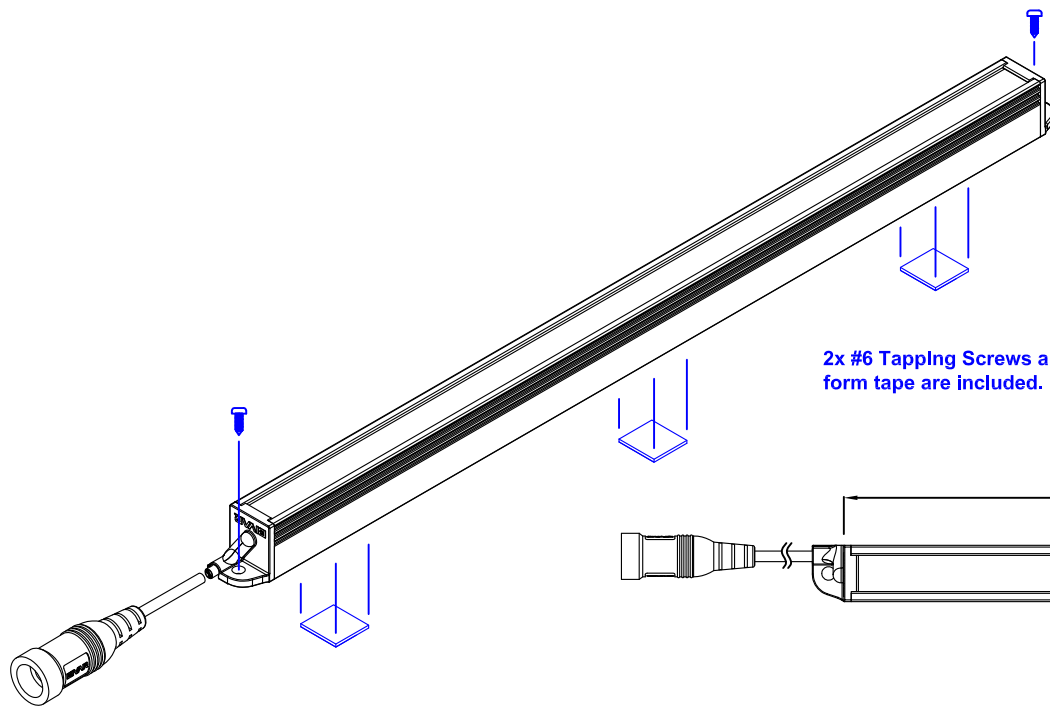
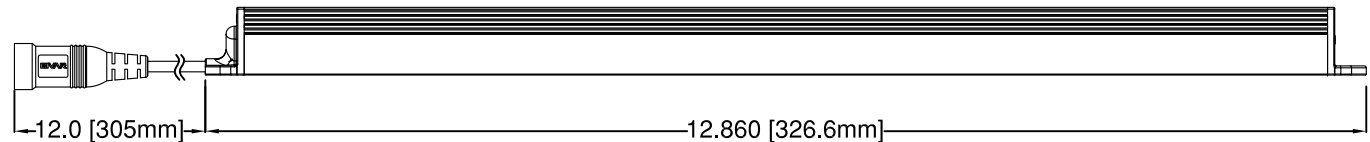
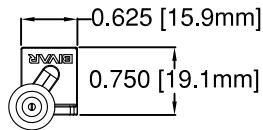
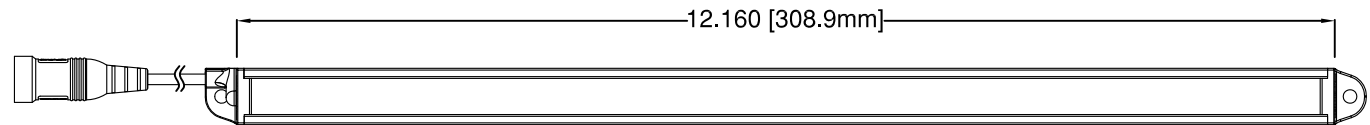


REV.	DESCRIPTION	DATE	APPROVED
B	Engineering Release.	08/24/09	T. Y.




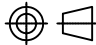
2x #6 Tapping Screws and Adhesive backing form tape are included.



1. Power Input: 24VDC, Constant Voltage
2. Luminous Intensity Output: 286 Lumens
3. White Color Temperature: 3100K Warm White
4. Output Projection: 100 Degreed Total Angle
5. Power Consumption: 4.0 Watts
6. Housing Color: Metallic Gray



Mating Connector:  
5.5 x 2.1 x 7mm DC Plug

STANDARD TOLERANCE ( UNLESS OTHERWISE SPECIFIED )		 4 THOMAS, IRVINE, CA. 92618 TEL: (949) 951-8808 FAX: (949) 951-3974	
DECIMALS	ANGULAR		
.X ±.1	X° ± 1°		TITLE: T-SERIES VARIABLE SEGMENT DIRECTIONAL LIGHTING, 24V WW
.XX ±.01			PART NO: TVSDL12M71W4
.XXX ±.005			REVISION: B
DESIGNED: Raffy Paje	DATE: 08/19/09	CAGE CODE : 32559	SHEET # 1 OF 1
CHECKED: T. Yin	DATE: 08/19/09	CAD GENERATED DOCUMENT, DO NOT MEASURE DRAWING.	