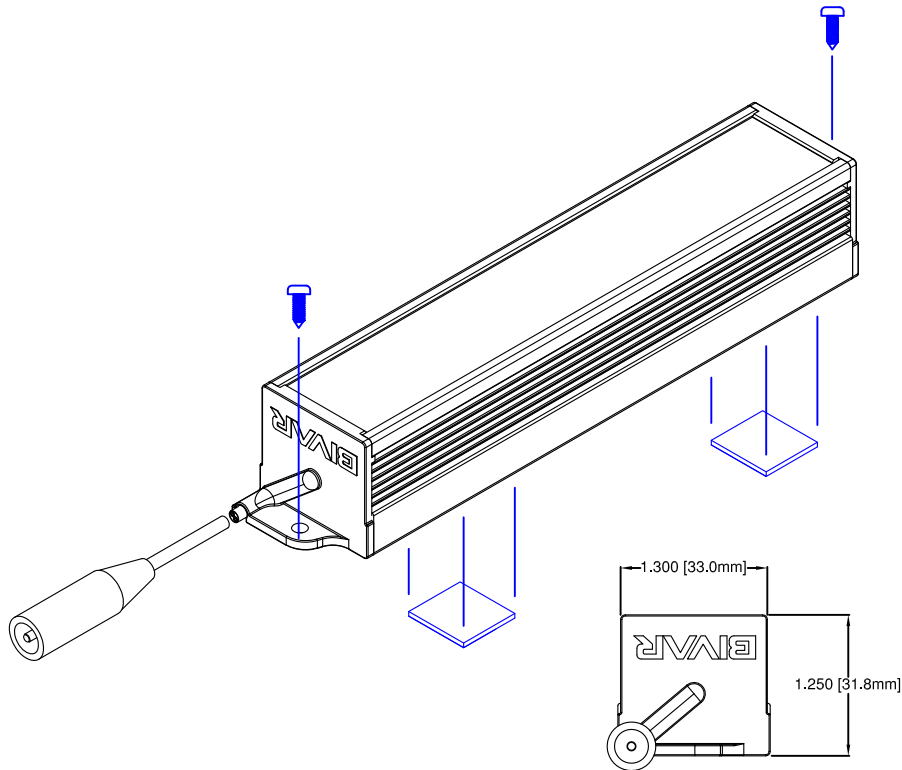
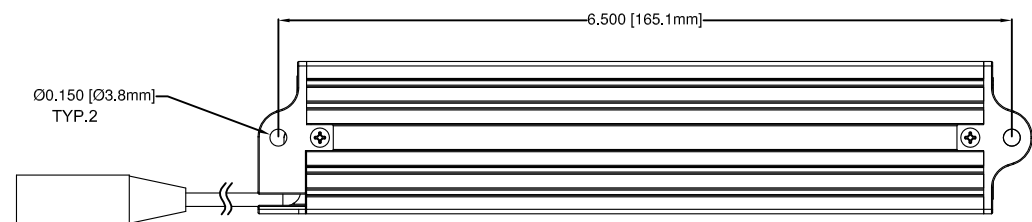
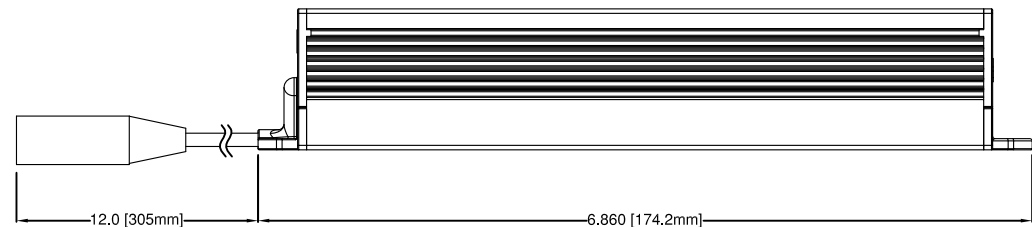
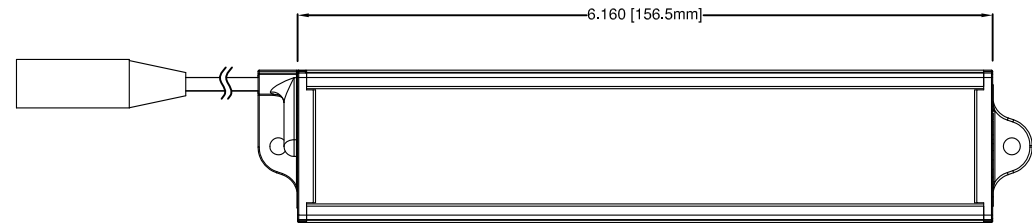


REV.	DESCRIPTION	DATE	APPROVED
E	Engineering Release.	10/01/08	T. Y.



2x #6 Tapping Screws and Adhesive backing form tape are included in the product box.



Product Number	Housing Color Options
VSDL06M68	Metallic Gray
VSDL06M68B	Black

1. Power Input: 24VDC / 240mA, Constant Current
2. Luminous Intensity Output: 191 Lumens
3. White Color Temperature: 6500K ~ 7500K
4. Output Projection: 100 Degree Total Angle



Mating Connector:  
5.5 x 2.1 x 9mm DC Plug

STANDARD TOLERANCE (UNLESS OTHERWISE SPECIFIED)		BIVAR®	
DECIMALS	ANGULAR	4 THOMAS, IRVINE, CA. 92618	
.X ±.1	X° ± 1°	TEL: (949) 951-8808 FAX: (949) 951-3974	
.XX ±.01		TITLE: Variable Segment Directional Lighting	
.XXX ±.005		PART NO: VSDL06M68x REVISION: E	
DESIGNED: M. Chen	DATE: 04/30/07	CAGE CODE : 32559	SHEET # 1 OF 1
CHECKED: F. Jensen	DATE: 10/01/08	CAD GENERATED DOCUMENT, DO NOT MEASURE DRAWING.	