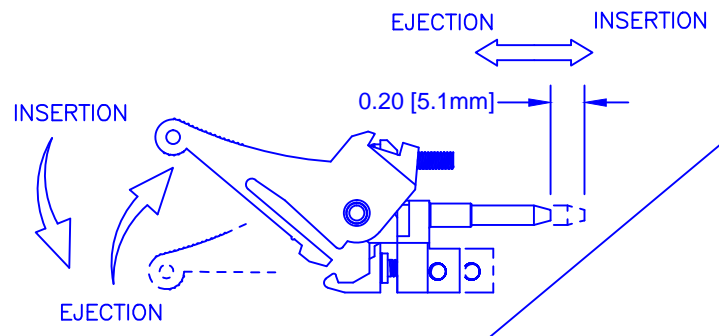
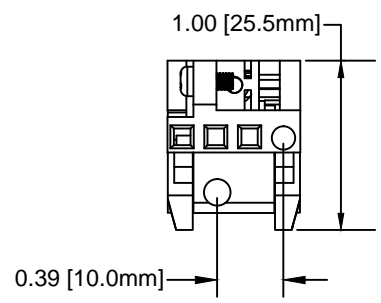
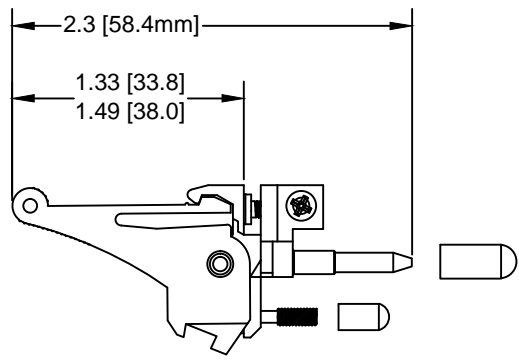
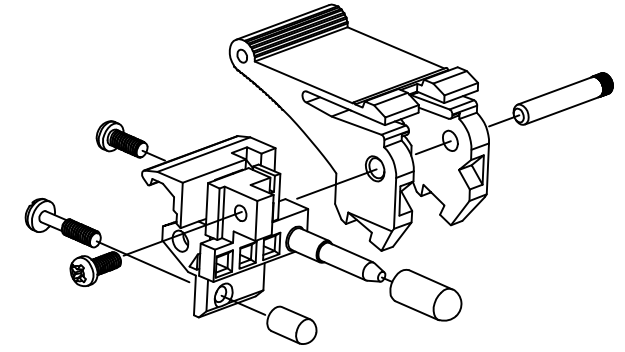
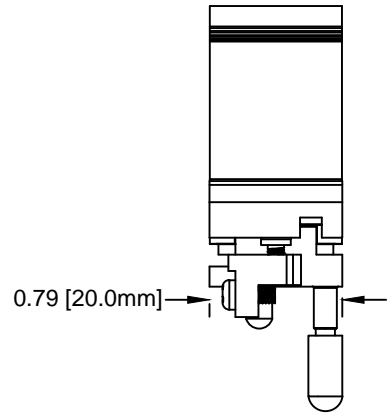
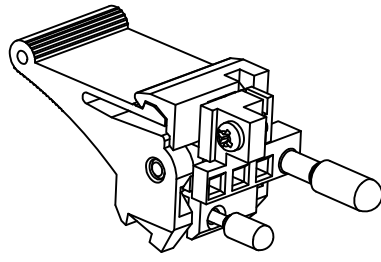


Application / Functional Diagram



REV.	DESCRIPTION	DATE	APPROVED
B	Engineering Update w/o Changes	07/07/04	M. C.
C	Removed Logo and Changed Length	03/18/11	T. Y.
D	ECO-1059 Dimension Change	06/10/20	A. V.
E	ECO-1068 Removed BOM	08/27/20	A. V.



CUSTOMER USE DRAWING

STANDARD TOLERANCE (UNLESS OTHERWISE SPECIFIED)		 4 THOMAS, IRVINE, CA. 92618 TEL: (949) 951-8808 FAX: (949) 951-3974	
DECIMALS	ANGULAR		
.X ± .1	X° ± 1°	TITLE: CPCI EJECTOR HANDLE TOP, STYLE E1	
.XX ± .01			
.XXX ± .005			
DESIGNED: Michael Chen	DATE: 03/29/01	PART NO: CPCI-E1-T	REVISION: E
REVISED: V. Chavez	DATE: 08/27/20	SHEET SIZE A	CAGE CODE: 32559
CHECKED: A. Valdez	DATE: 08/27/20	SCALE: N/A	SHEET # 1 OF 1