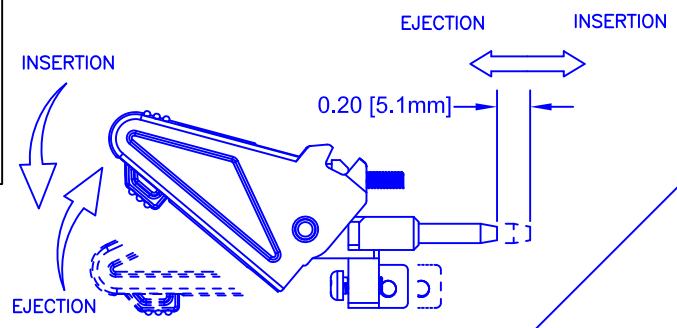
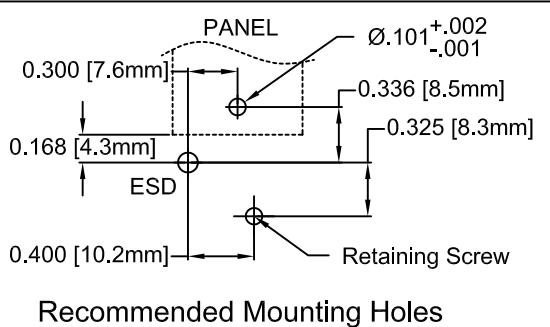
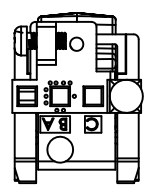
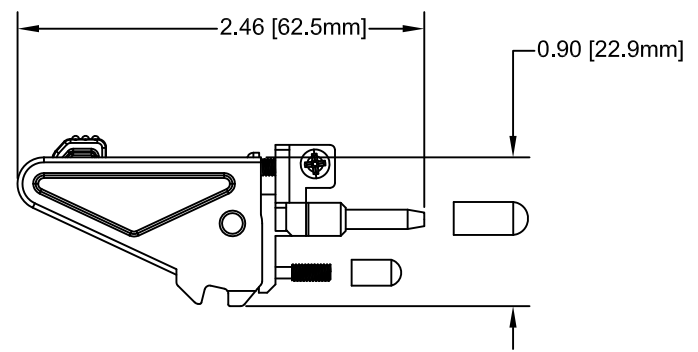
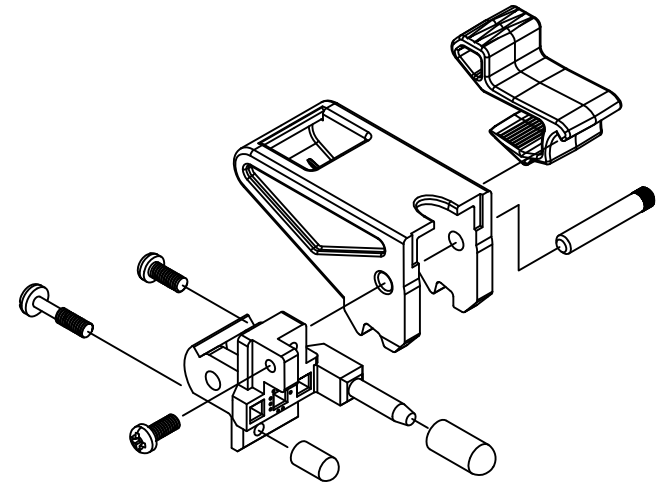
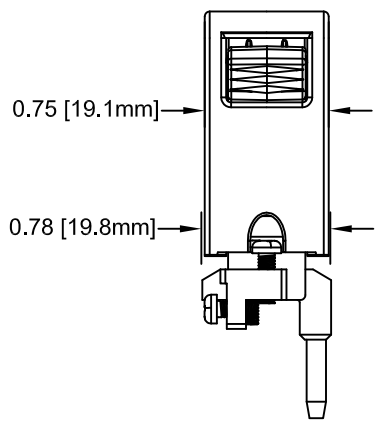
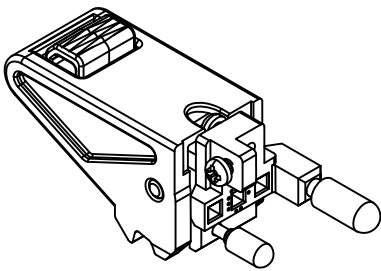


Application / Functional Diagram



REV.	DESCRIPTION	DATE	APPROVED
D	Engineering Update w/o Changes	07/07/04	M. C.
E	ECO-1068 Removed BOM	09/01/20	A. V.
F	ECO-1226 Updated Title Block	10/10/23	A. V.



CUSTOMER USE DRAWING

STANDARD TOLERANCE (UNLESS OTHERWISE SPECIFIED)		 4 THOMAS, IRVINE, CA. 92618 TEL: (949) 951-8808 FAX: (949) 951-3974	
DECIMALS	ANGULAR		
.X ± .1	X° ± 1°		
.XX ± .01		TITLE: CPCI EJECTOR HANDLE TOP, STYLE E2	
.XXX ± .005			
DESIGNED: M. Chen	DATE: 03/30/01	DRAWING NO: CPCI-E2-T	REVISION: F
REVISED: K. Baron	DATE: 10/10/23	SHEET SIZE A	CAGE CODE: 32559
CHECKED: A. Valdez	DATE: 10/10/23	SCALE: N/A	SHEET # 1 OF 1

CAD GENERATED DOCUMENT, DO NOT MEASURE DRAWING