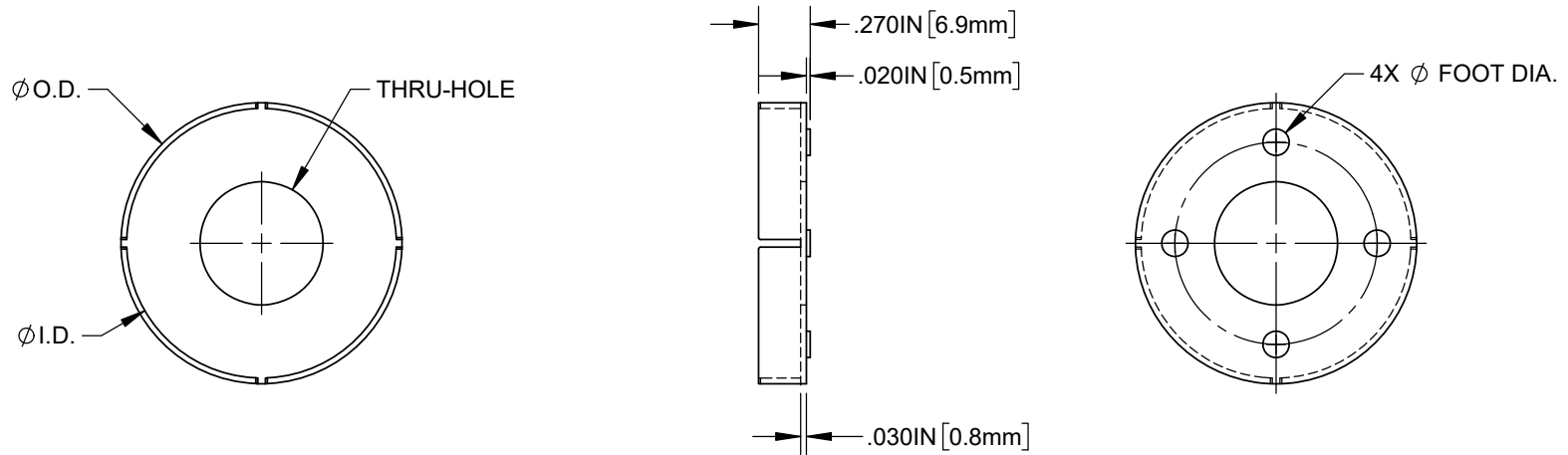


NOTES:



1. GENERAL SPECIFICATIONS: BIVAR MOLDED COMPONENT SPECIFICATIONS: BV00-E101.
2. MATERIAL: NYLON 6/6, 94V-2, NATURAL.

REVISIONS			
REV.	DESCRIPTION	DATE	APPROVED
D	REMOVED P/N ECM-2	07/16/14	J.C.
E	REMOVED P/N FROM PART OFFERING LIST	09/29/15	J.C.
F	REMOVED P/N FROM PART OFFERING LIST	11/20/15	J.C.
G	ECO-1119, RE-INSTATE ECM-1, REMOVE -4/-5	02/07/22	A.V.



PART NO.	EC TYPE	I.D.	O.D.	THRU-HOLE	FOOT DIA.
ECM-1	5	.227 (5.8mm)	.287 (7.3mm)	.125 (3.2mm)	.060 (1.5mm)
ECM-13	35	1.410 (35.8mm)	1.470 (37.3mm)	.645 (16.4mm)	.138 (3.5mm)

CUSTOMER USE DRAWING

STANDARD TOLERANCE (UNLESS OTHERWISE SPECIFIED)		 4 THOMAS, IRVINE, CA. 92618 TEL: (949) 951-8808 FAX: (949) 951-3974			
DECIMALS	ANGULAR				
.X $\pm .1$	X° $\pm 1^\circ$	 TITLE: ELECTROLYTIC CAPACITOR MOUNT			
.XX $\pm .01$					
.XXX $\pm .005$		DESIGNED: S.IRVING	DATE: 8/27/1998	DRAWING NO: ECM-XX	REVISION: G
		REVISOR: A.VALDEZ	DATE: 2/7/2022	SHEET SIZE A	CAGE CODE: 32559
		CHECKED: E.CHAN	DATE: 2/7/2022	SCALE: 1:1	SHEET # 1 OF 1
CAD GENERATED DOCUMENT, DO NOT MEASURE DRAWING					