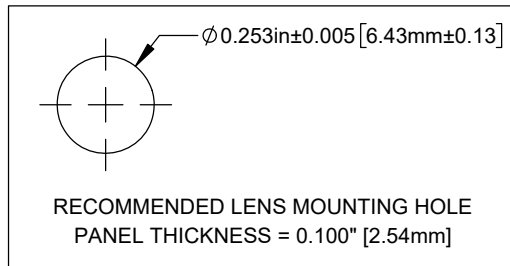
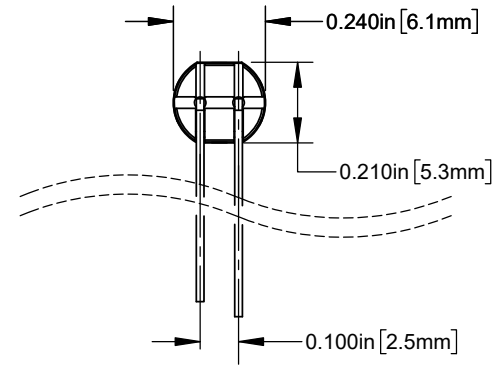
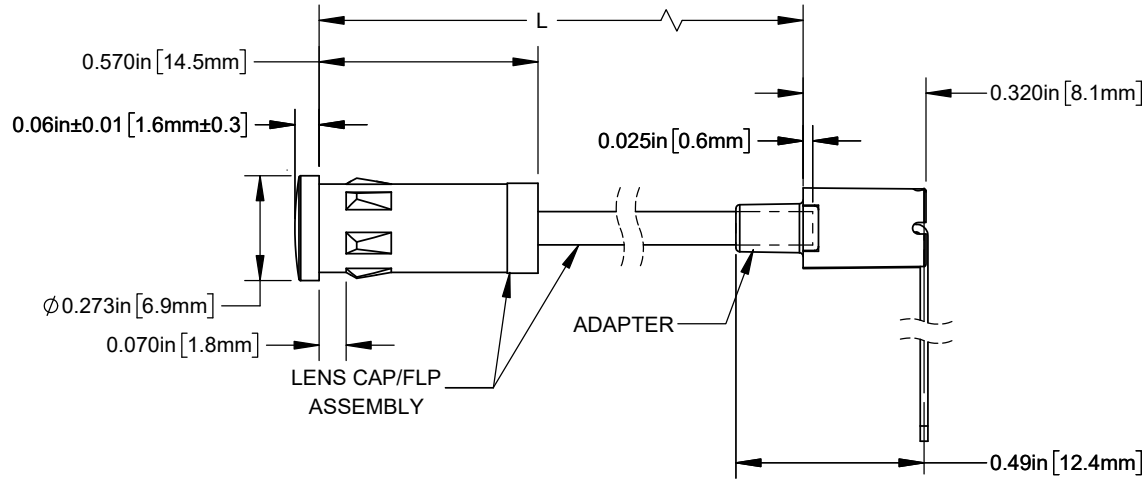
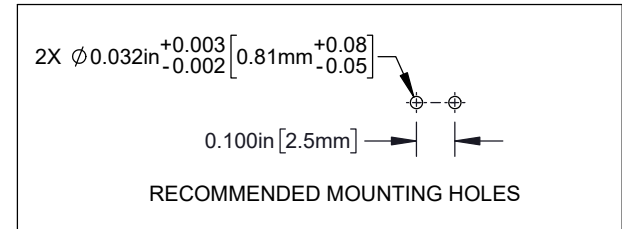
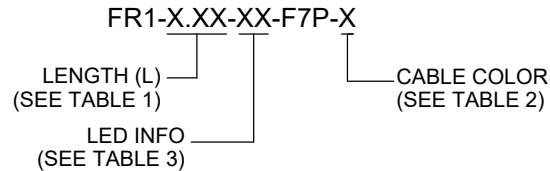


NOTES:  
1. COMPONENTS SHIPPED NON-ASSEMBLED.

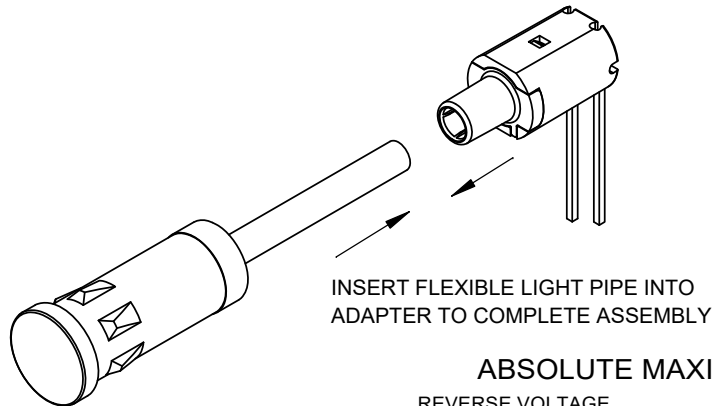
REVISIONS			
REV.	DESCRIPTION	DATE	APPROVED
A	Engineering Release	09/06/2019	A.V.
B	ECO-1242: Updated Dimensions & Views	3/27/2024	A.V.



**PART NUMBER CONFIGURATOR**  
SEE SHEET 2 FOR ORDERING INFORMATION



\*ADD RP SUFFIX TO PART NUMBER FOR REVERSE POLARITY.



**ABSOLUTE MAXIMUM RATINGS (Ta=25 C)**

REVERSE VOLTAGE _____	5V
REVERSE CURRENT _____	100uA
OPERATING TEMPERATURE RANGE _____	-25°C ~ +85°C
STORAGE TEMPERATURE _____	-30°C ~ +100°C
LEAD SOLDERING TEMPERATURE(1/16" FROM BODY) _____	260°C FOR 5 SECONDS

**CUSTOMER USE DRAWING**

STANDARD TOLERANCE (UNLESS OTHERWISE SPECIFIED)		 4 THOMAS, IRVINE, CA. 92618 TEL: (949) 951-8808 FAX: (949) 951-3974	
DECIMALS	ANGULAR		
.X ± .1	X° ± 1°	TITLE: FLP ASSEMBLY WITH ANGLED ADAPTER, FLP5	
.XX ± .02		DESIGNED: K. BARON	DATE: 9/06/2019
.XXX ± .010		REVISION: B	DRAWING NO: FR1-X.XX-XX-F7P-X
		REVISOR: K. BARON	DATE: 3/27/2024
		CHECKED: A. VALDEZ	DATE: 3/27/2024
		SHEET SIZE: A	CAGE CODE: 32559
		SCALE: 2:1	SHEET # 1 OF 2
CAD GENERATED DOCUMENT, DO NOT MEASURE DRAWING			

TABLE 1 - LENGTH	
LENGTH (L)*	TOLERANCE
1.00" - 16.00"	±0.05"
16.05" - 40.00"	±0.15"
40.05" - 80.00"	±0.30"
80.05" - 3,940.00"	±0.5%

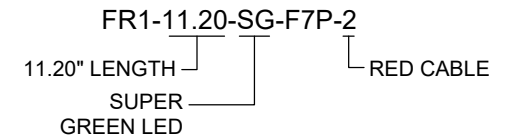
\*AVAILABLE IN 0.05" INCREMENTS

TABLE 2 - CABLE	
ORDER CODE	CABLE COLOR
(BLANK)	BLACK
2	RED
4	YELLOW
5	GREEN
6	BLUE
9	WHITE

TABLE 3 - LED INFORMATION						
Assembly P/N	Emitted Color	Peak Wave Length $\lambda_p$ (nm)	Electro-Optical Data @ 20mA			LED P/N
			Vf (V)		lv (mcd)	
			Typ.	Max.	Typ.	
FR1-X.XX-SG-F7P-X	SUPER GREEN	568	2.1	2.8	50	3SGC-F
FR1-X.XX-SY-F7P-X	SUPER YELLOW	590	2.0	2.8	50	3SYC-F
FR1-X.XX-SR-F7P-X	SUPER RED	645	1.7	2.4	60	3SRC-F
FR1-X.XX-UT-F7P-X	TURQUOISE	500	3.5	4.0	800	3UTC-F
FR1-X.XX-UG-F7P-X	GREEN	570	2.1	2.4	200	3UGC-F
FR1-X.XX-SUG-F7P-X	GREEN	570	2.1	2.4	300	3SUGC-F
FR1-X.XX-UY-F7P-X	YELLOW	590	2.0	2.4	300	3UYC-F
FR1-X.XX-UR-F7P-X	RED	645	1.7	2.4	200	3URC-F
FR1-X.XX-SUR-F7P-X	RED	640	1.8	2.4	200	3SURC-F
FR1-X.XX-UW.6K-F7P-X	WHITE	-	3.2	3.6	6000	3UWC1.035C-F
BI-COLOR						
FR1-X.XX-BC-F7P-X	HE RED	625	2.0	2.8	8	3BCC-F
	GREEN	568	2.1	2.8	8	
FR1-X.XX-SBC-F7P-X	SUPER RED	645	1.7	2.4	100	3SBCC-F
	HE GREEN	568	2.1	2.8	60	

SHORT LEAD CATHODE	LED PART NUMBER	LONG LEAD CATHODE
RED	3XBCC-F	GREEN

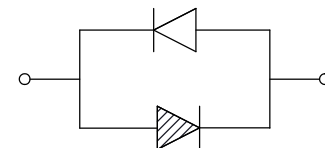
**SAMPLE PART NUMBER**



**SINGLE COLOR LED**



**BI-COLOR LED**



**CUSTOMER USE DRAWING**

		<b>BIVAR<sup>®</sup></b>	
<b>CAGE CODE:</b>	<b>32559</b>	<b>DRAWING NO:</b> FR1-X.XX-XX-F7P-X	<b>REVISION:</b> <b>B</b>
<b>SHEET SIZE:</b>	<b>A</b>	SCALE: 2:1	<b>SHEET # 2 OF 2</b>
<small>CAD GENERATED DOCUMENT, DO NOT MEASURE DRAWING</small>			