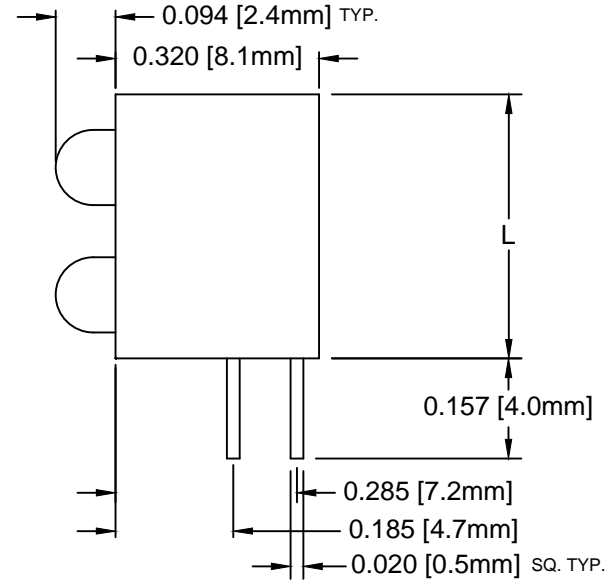
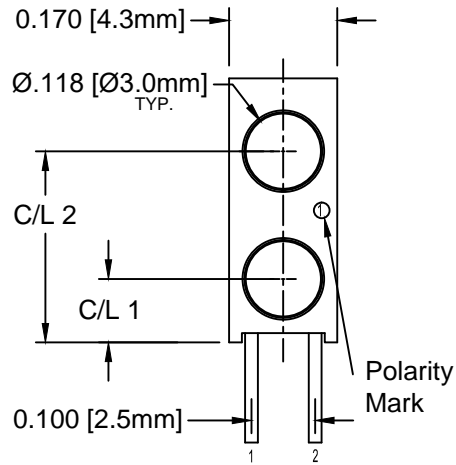
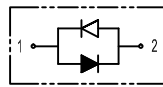


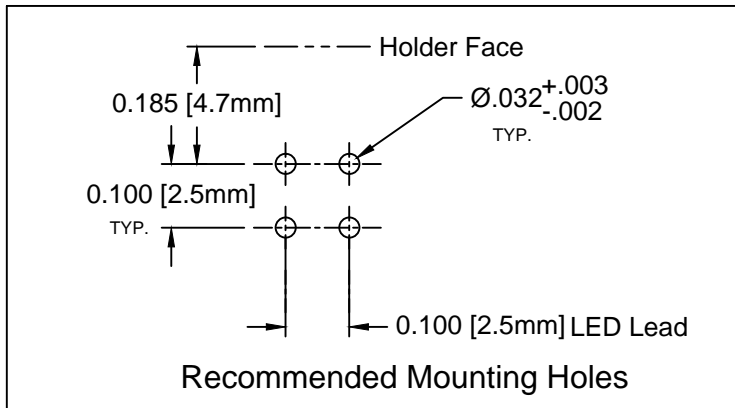
REV.	DESCRIPTION	DATE	APPROVED
A	Engineering Release	05/25/11	T. Y.
B	Engineering Update w/o Changes	06/24/16	J. C.
C	Updated per EOL Notice	12/24/19	A. V.
D	ECO-1073 Removed BOM	10/23/20	A. V.



LED P/N	(1) CATHODE	(2) CATHODE
3BC	GREEN	RED
3BC-A/G	GREEN	AMBER
3BC-Y/G	GREEN	YELLOW



Available Centerlines			
XXX	C/L 1	C/L 2	L
100	.100 (2.5)	.300 (7.6)	.415 (10.6)
120	.120 (3.0)	.320 (8.1)	.435 (11.0)
140	.140 (3.6)	.340 (8.6)	.455 (11.6)
160	.160 (4.1)	.360 (9.1)	.475 (12.1)
180	.180 (4.6)	.380 (9.7)	.495 (12.6)



CUSTOMER USE DRAWING

ABSOLUTE MAXIMUM RATINGS (Ta=25° C)

OPERATING TEMPERATURE RANGE _____ -25° C - 85° C

STORAGE TEMPERATURE _____ -30° C - 100° C

LEAD SOLDERING TEMPERATURE(1/16" FROM BODY) _____ 260° C FOR 5 SECONDS

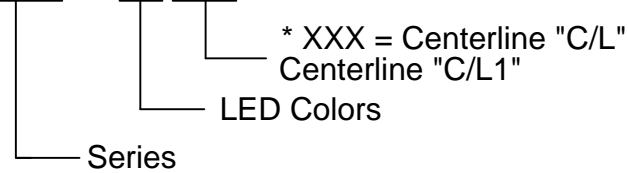
STANDARD TOLERANCE (UNLESS OTHERWISE SPECIFIED)		 4 THOMAS, IRVINE, CA. 92618 TEL: (949) 951-8808 FAX: (949) 951-3974	
DECIMALS	ANGULAR		
.X ± .1	X° ± 1°		
.XX ± .02		TITLE: T-1 (3MM) 90° BI-LEVEL VAR. C/L LED ASSY	
.XXX ± .010		DRAWING NO: H301CBC-XX-XXX	
DESIGNED: M. Myers	DATE: 05/25/11	REVISION: D	
REVISED: V. Chavez	DATE: 10/23/20	SHEET SIZE A	CAGE CODE: 32559
CHECKED: A. Valdez	DATE: 10/23/20	SCALE: NONE	SHEET # 1 OF 2
CAD GENERATED DOCUMENT, DO NOT MEASURE DRAWING			

REV.	DESCRIPTION	DATE	APPROVED
	SEE SHEET #1		

LED Assy. No.	Peak Wave Length λ_p (nm)	Emitted Color	Lens Appearance	Electro-Optical Data @ 20mA				Viewing Angle 2 Y 1/2 (Deg)	LED P/N
				If (mA)	Vf (V)		Iv (mcd)		
				TYP	TYP	MAX	TYP		
H301CBC-XXX	625	RED	WHITE DIFFUSED	20	2.0	2.8	6	45	3BC
	568	GREEN		20	2.1	2.8	6	45	
H301CBC-A/G-XXX	605	AMBER	WHITE DIFFUSED	20	2.0	2.8	6	45	3BC-A/G
	568	GREEN		20	2.1	2.8	6	45	
H301CBC-Y/G-XXX	590	YELLOW	WHITE DIFFUSED	20	2.0	2.8	4	45	3BC-Y/G
	568	GREEN		20	2.1	2.8	6	45	

PART NUMBER DESIGNATION

H301CBC-XX-XXX*



CUSTOMER USE DRAWING

		BIVAR [®]	
CAGE CODE	32559	DRAWING NO: H301CBC-XX-XXX	REVISION: D
SHEET SIZE	A	SCALE: NONE	SHEET # 2 OF 2
<small>CAD GENERATED DOCUMENT, DO NOT MEASURE DRAWING</small>			