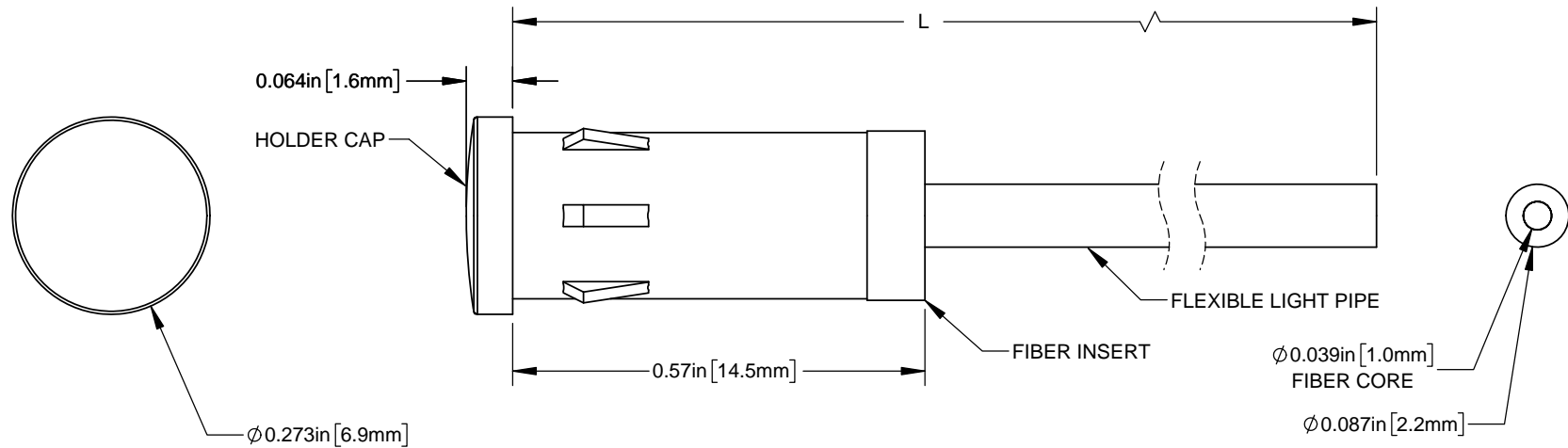


NOTES:

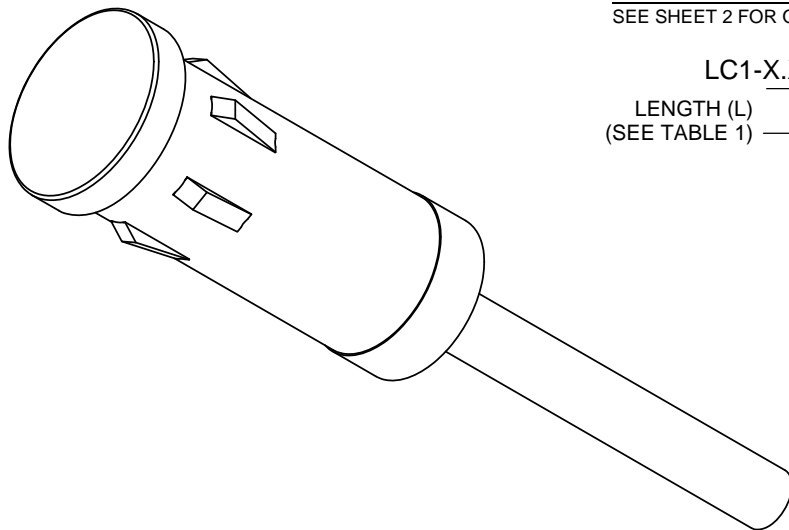
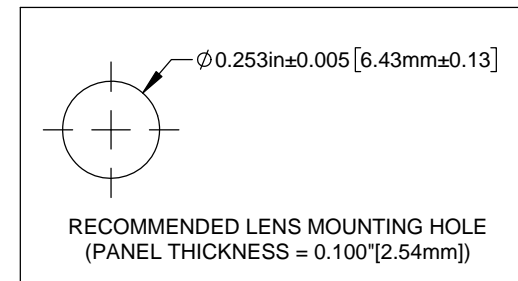
1. ALLOWABLE FLEXIBLE LIGHT PIPE CUT LENGTH AVAILABLE IN INCREMENTS OF 0.05".
2. MINIMUM BEND RADIUS OF FLEXIBLE LIGHT PIPE: 0.87" [22mm].

REVISIONS			
REV.	DESCRIPTION	DATE	APPROVED
A	Engineering Release	08/09/2019	A.V.



PART NUMBER CONFIGURATOR
SEE SHEET 2 FOR ORDERING INFORMATION

LC1-X.XX-F7P-X
 LENGTH (L) (SEE TABLE 1) | CABLE COLOR (SEE TABLE 2)



CUSTOMER USE DRAWING

STANDARD TOLERANCE (UNLESS OTHERWISE SPECIFIED)		 4 THOMAS, IRVINE, CA. 92618 TEL: (949) 951-8808 FAX: (949) 951-3974			
DECIMALS	ANGULAR				
.X $\pm .1$	X° $\pm 1^\circ$	TITLE: FLP LENS CAP ASSEMBLY, FLP5			
.XX $\pm .02$					
.XXX $\pm .010$		DESIGNED: K. BARON	DATE: 08/09/19	DRAWING NO: LC1-X.XX-F7P-X	REVISION: A
		REVISD: N/A	DATE: N/A	SHEET SIZE A	CAGE CODE: 32559
		CHECKED: TD. NGUYEN	DATE: 08/09/19	SCALE: 2:1	SHEET # 1 OF 2

TABLE 1 - LENGTH	
LENGTH (L)*	TOLERANCE
0.75" - 16.00"	±0.05"
16.05" - 40.00"	±0.15"
40.05" - 80.00"	±0.30"
80.05" - 3,940.0"	±0.5%

*AVAILABLE IN 0.05" INCREMENTS

TABLE 2 - CABLE	
ORDER CODE	CABLE COLOR
(BLANK)	BLACK
2	RED
4	YELLOW
5	GREEN
6	BLUE
9	WHITE

SAMPLE PART NUMBER:

LC1-11.20-F7P-5

11.20" LENGTH

GREEN CABLE

CUSTOMER USE DRAWING

		BIVAR [®]	
CAGE CODE:	32559	DRAWING NO: LC1-X.XX-F7P-X	REVISION: A
SHEET SIZE:	A	SCALE: 2:1	SHEET # 2 OF 2
<small>CAD GENERATED DOCUMENT, DO NOT MEASURE DRAWING</small>			