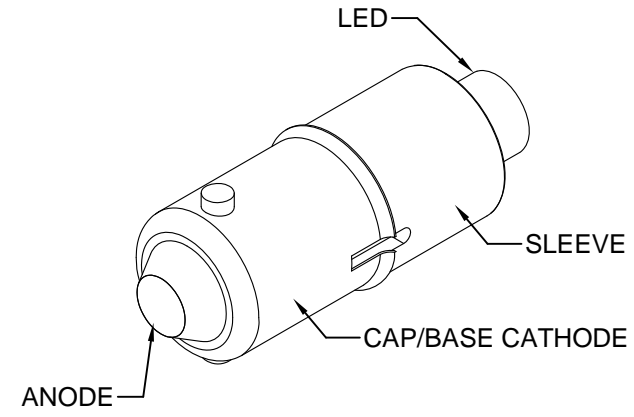
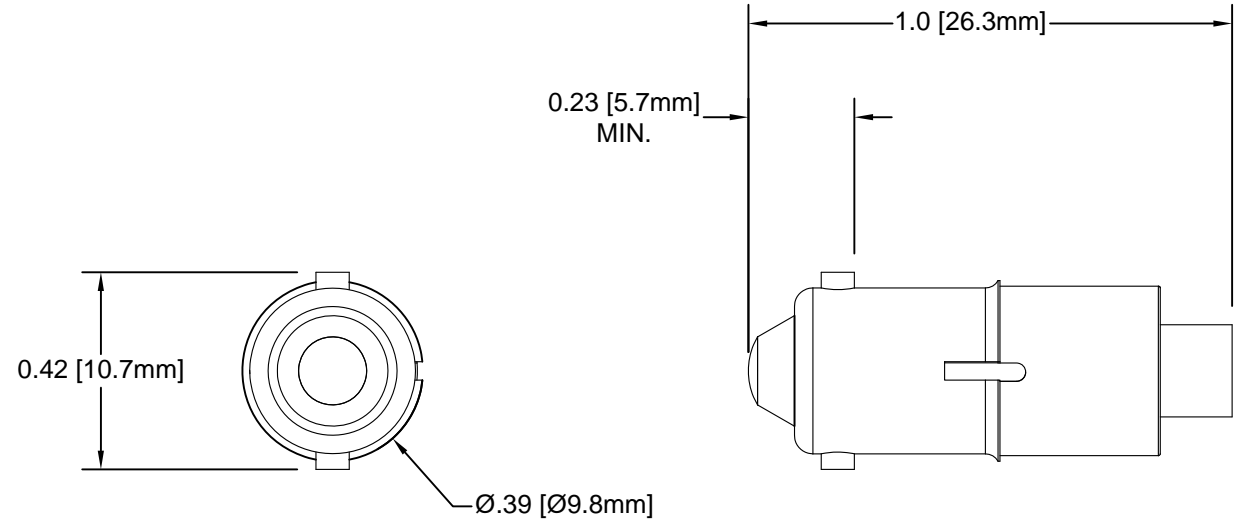

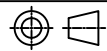


REV.	DESCRIPTION	DATE	APPROVED
A	Engineering Release	10/21/13	J. C.
B	Engineering Update w/o Changes	05/18/16	J. C.

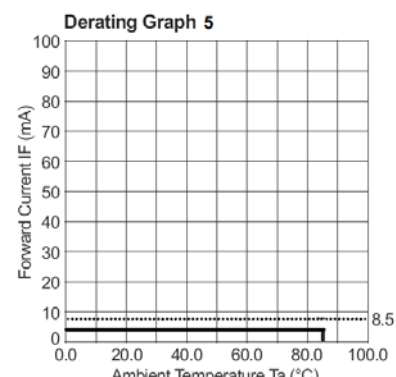
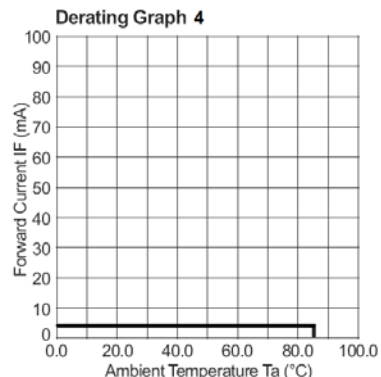
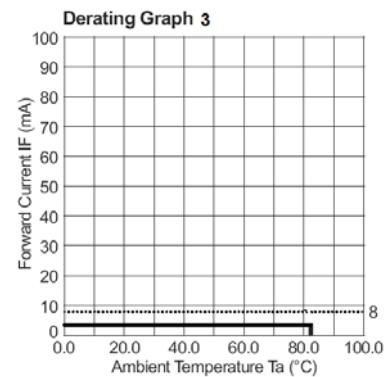
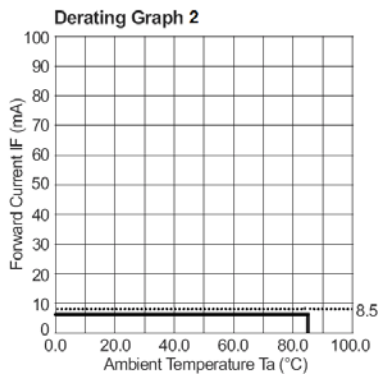
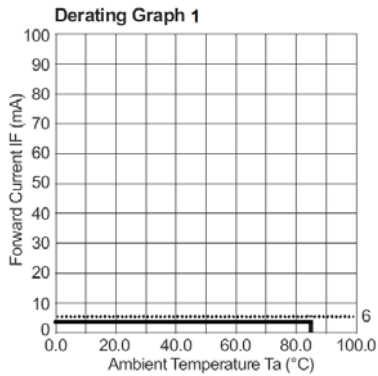


NOTES:
 2. DIRECT REPLACEMENT FOR T3 ¼ BA9s BASED LAMPS
 1. CENTER CONTACT ANODE

STANDARD TOLERANCE (UNLESS OTHERWISE SPECIFIED)		 4 THOMAS, IRVINE, CA. 92618 TEL: (949) 951-8808 FAX: (949) 951-3974			
DECIMALS	ANGULAR				
.X ± .1	X° ± 1°		TITLE: 215 SERIES INCANDESCENT REPLACEMENT LED		
.XX ± .02			DESIGNED: M. Doan	DATE: 10/21/13	PART NO: LFR-215XXXX
.XXX ± .010		CHECKED: B. Oliver	DATE: 10/21/13	CAGE CODE : 32559	SHEET # 1 OF 2
CAD GENERATED DOCUMENT. DO NOT MEASURE DRAWING.					

REV.	DESCRIPTION	DATE	APPROVED
	SEE SHEET #1		

DERATING CURVES


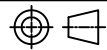


Bivar Part Number	Wave Length λ_p (nm)	Emitted Color	Lens Appearance	Operating Voltage	Electro-Optical Data		Viewing Angle	De-rating Graphs
				Vopr (Vac)	Current AC (mA)	Iv (mcd)		
				TYP	TYP	TYP		
LFR-215R230VAC	660	RED	CLEAR	230	2.0	25	120	1
LFR-215R125VAC	660	RED	CLEAR	125	3.0	25	120	1
LFR-215Y230VAC	595	YELLOW	CLEAR	230	2.0	60	120	2
LFR-215Y130VAC	595	YELLOW	CLEAR	130	6.3	60	120	2
LFR-215B110VAC	470	BLUE	CLEAR	110	3.5	150	120	2
LFR-215G230VAC	525	GREEN	CLEAR	230	2.0	50	120	3
LFR-215G125VAC	525	GREEN	CLEAR	125	3.0	50	120	3

Bivar Part Number	Chromaticity Coordinates	Emitted Color	Lens Appearance	Operating Voltage	Electro-Optical Data		Viewing Angle	De-rating Graphs
				Vopr (Vac)	Current AC (mA)	Iv (mcd)		
				TYP	TYP	TYP		
LFR-215WW230VAC	X=0.4255-0.4680 Y=0.4000-0.4385	WARM WHITE	CLEAR	230	2.0	340	120	4
LFR-215WW130VAC	X=0.4255-0.4680 Y=0.4000-0.4385	WARM WHITE	CLEAR	130	3.0	340	120	4
LFR-215CW230VAC	X=0.3028-0.3376 Y=0.3113-0.3616	COOL WHITE	CLEAR	230	2.0	440	120	5
LFR-215CW125VAC	X=0.3028-0.3376 Y=0.3113-0.3616	COOL WHITE	CLEAR	125	3.0	440	120	5

ABSOLUTE MAXIMUM RATINGS (Ta = 25°C)

MAXIMUM POWER DISSIPATION _____ 625 mW
 OPERATING TEMPERATURE RANGE _____ -30°C ~ 85°C
 STORAGE TEMPERATURE _____ -40°C ~ 100°C

STANDARD TOLERANCE (UNLESS OTHERWISE SPECIFIED) DECIMALS ANGULAR		 4 THOMAS, IRVINE, CA. 92618 TEL: (949) 951-8808 FAX: (949) 951-3974		
				TITLE: 215 SERIES INCANDESCENT REPLACEMENT LED
DESIGNED: M. Doan	DATE: 10/21/13	PART NO: LFR-215XXXX		REVISION: B
CHECKED: B. Oliver	DATE: 10/21/13	CAGE CODE : 32559	SHEET # 2 OF 2	
CAD GENERATED DOCUMENT. DO NOT MEASURE DRAWING.				