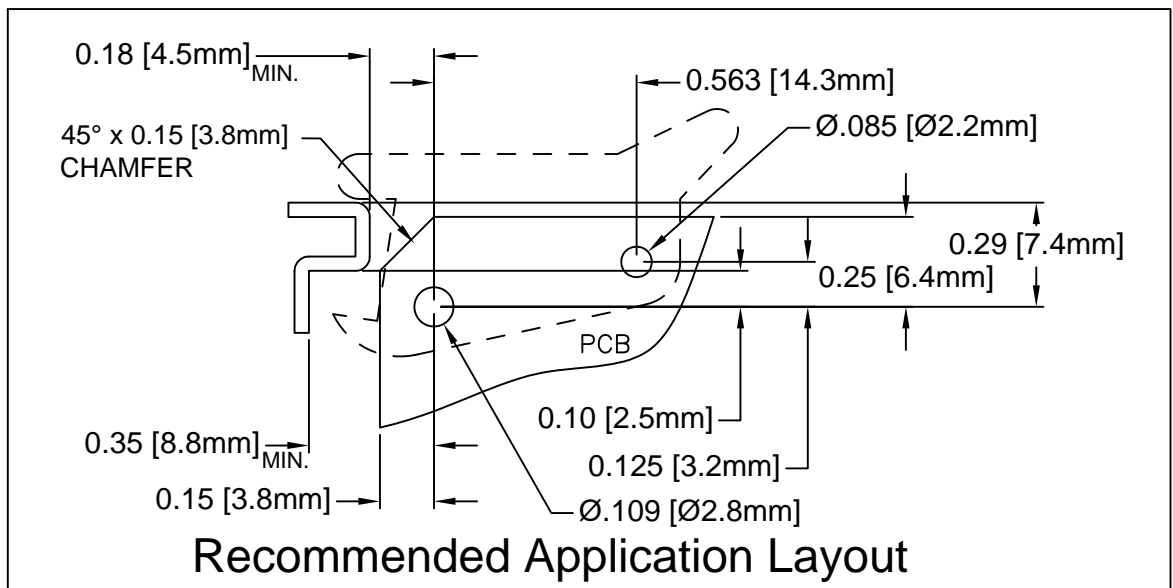
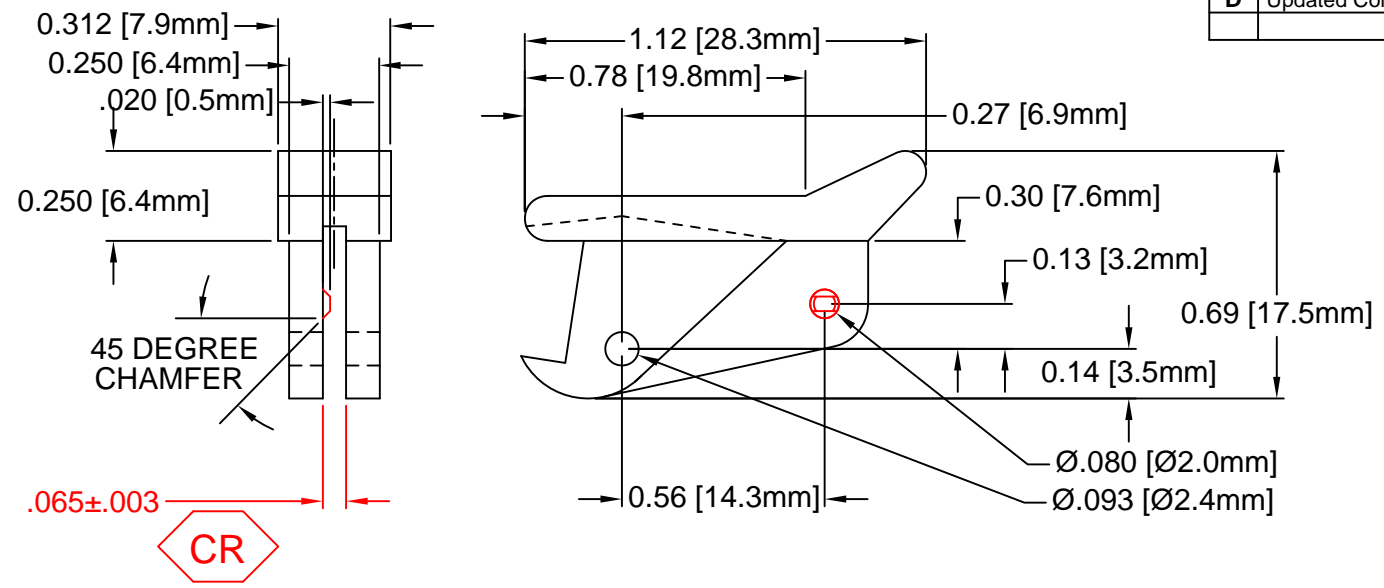


REV.	DESCRIPTION	DATE	APPROVED
A	Engineering Release	10/20/05	M. C.
B	Added Notes 3, 4, 5 & Color Options Sheet #2	05/16/16	J. C.
C	Updated Drawing Name to LP-06-1 XX	01/15/18	J. C.
D	Updated Color Options Sheet #2	07/06/18	M. C.



PART NO.	COLOR	ROLL PIN
LP-06-1 XX	SEE S.#2	RP-250

**CR** CRITICAL TO QUALITY. A COOLING FIXTURE MAY BE REQUIRED TO MAINTAIN TOLERANCE.

4. PRE-ASSEMBLED ROLL PINS AVAILABLE UPON REQUEST.
3. ROLL PINS INCLUDED. PACKAGED SEPARATELY.
2. MATERIAL: NYLON 6/6, 94V-0, WHITE.
1. GENERAL SPECIFICATIONS: BIVAR MOLDED COMPONENT SPECIFICATION BV00-E101.

STANDARD TOLERANCE (UNLESS OTHERWISE SPECIFIED)		 4 THOMAS, IRVINE, CA. 92618 TEL: (949) 951-8808 FAX: (949) 951-3974	
DECIMALS	ANGULAR		
.X ± .1	X° ± 1°	TITLE: CIRCUIT BOARD CARD EJECTOR	
.XX ± .01		DESIGNED: T. YIN	DATE: 10/20/05
.XXX ± .005		REVISION: D	
		PART NO: LP-06-1 XX	REVISION: D
CHECKED: K. BARON		DATE: 07/06/18	CAGE CODE: 32559
DATE: 07/06/18		SCALE: 1:1	SHEET # 1 OF 2
CAD GENERATED DOCUMENT. DO NOT MEASURE DRAWING			

**OTHER AVAILABLE COLORS**

\* SEE TABLE FOR ORDERING INFORMATION

REV.	DESCRIPTION	DATE	APPROVED
	SEE SHEET #1		

**LP-06-1**

**--**

**SERIES**

ORDER CODE	COLOR	PANTONE CODE
BK	BLACK	
BE	BLUE	PQ-BLUE072C
GN	GREEN	PQ-2258C
RD	RED	PQ-19-1664TCX
WE	WHITE	
YW	YELLOW	PQ-YELLOWC

<b>BIVAR</b> <sup>®</sup>	
<b>PART NO:</b> LP-06-1 XX	<b>REVISION:</b> D
<b>SCALE:</b> NONE	<b>SHEET # 2 OF 2</b>
CAD GENERATED DOCUMENT. DO NOT MEASURE DRAWING	