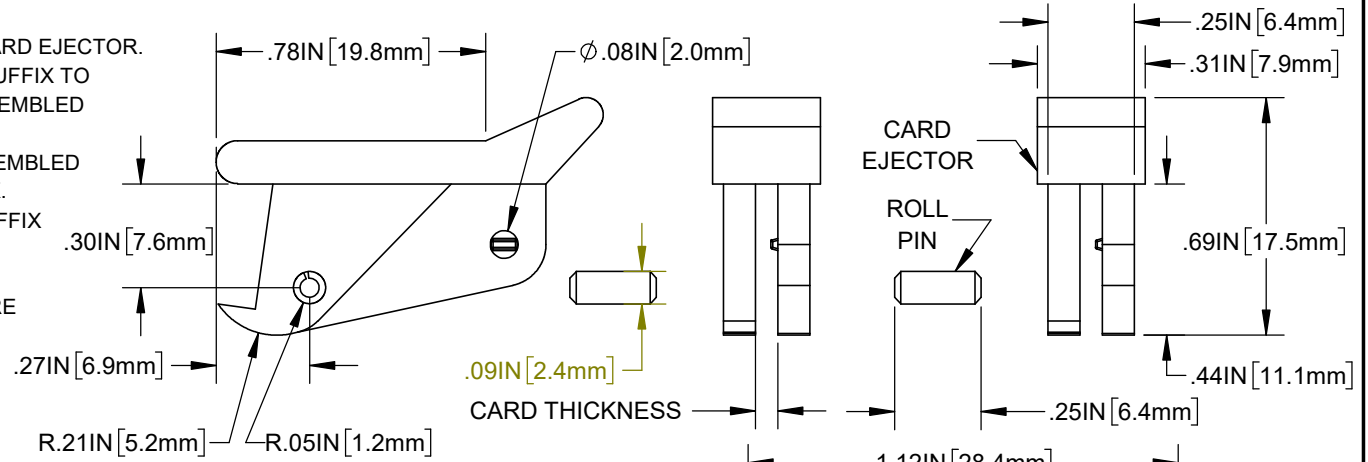


NOTES:

- MATERIAL:
CARD EJECTOR: NYLON 6/6, 94V-2
ROLL PIN: STAINLESS STEEL 304
- USE ONE (1) ROLL PIN (P/N: RP-250) FOR EACH CARD EJECTOR.
- PRE-ASSEMBLED ROLL PINS WILL HAVE A "/PA" SUFFIX TO PART NUMBER. ROLL PIN ASSEMBLY CAN BE ASSEMBLED AT BIVAR OR MANUFACTURING LOCATIONS.
- ROLL PINS ARE PACKAGED AND SHIPPED UNASSEMBLED WITH PART NUMBERS WITHOUT THE "/PA" SUFFIX.
- HOT STAMPED CARD EJECTORS HAVE A "/HS" SUFFIX TO PART NUMBER. HOT STAMPING SHALL BE PERFORMED AT THE BIVAR LOCATION.
- CUSTOM*** COLORS CAN BE REQUESTED AND ARE SUBJECT TO AVAILABILITY.

REVISIONS			
REV.	DESCRIPTION	DATE	APPROVED
E	ECO-1268	11/30/23	A.V.



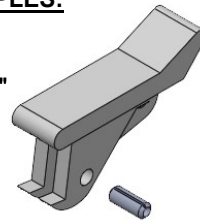
PART NUMBER ASSIGNMENT

LP-06-1 ZZ/YY

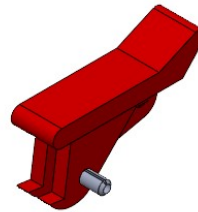
/YY	FEATURE
/PA	PRE-ASSEMBLED ROLL PIN
/HS	HOT STAMPED
ZZ	COLOR
BK	BLACK
BE	BLUE
GN	GREEN
RD	RED
WE	WHITE
YW	YELLOW
CUSTOM***	COLOR
OE	ORANGE
VT	VIOLET
FG	FOREST GREEN
AA	AQUAMARINE
PK	PINK
GY	GRAY
LE	LIME
BN	BROWN

PART NUMBER EXAMPLES:

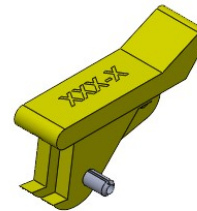
CARD EJECTOR, WHITE, FOR CARD THICKNESS 1/16" (UNASSEMBLED ROLL PIN)
LP-06-1 WE



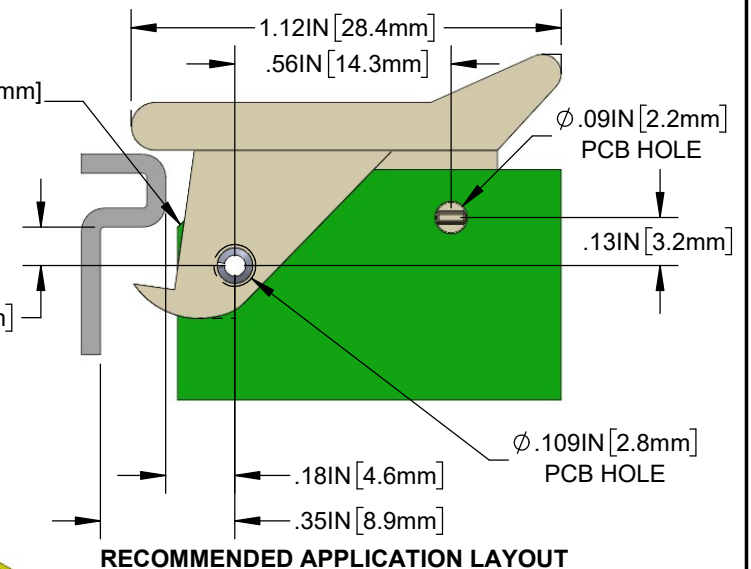
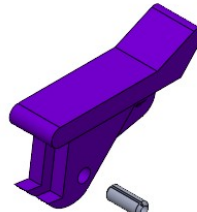
CARD EJECTOR, RED, FOR CARD THICKNESS 1/16" WITH PRE-ASSEMBLED ROLL PIN
LP-06-1 RD/PA



CARD EJECTOR, YELLOW, FOR CARD THICKNESS 1/16" WITH PRE-ASSEMBLED ROLL PIN AND REQUIRES HOT STAMPING
LP-06-1 YW/PA/HS



CARD EJECTOR, VIOLET, FOR CARD THICKNESS 1/16" (UNASSEMBLED ROLL PIN)
LP-06-1 VT



CUSTOMER USE DRAWING

STANDARD TOLERANCE (UNLESS OTHERWISE SPECIFIED)		 4 THOMAS, IRVINE, CA. 92618 TEL: (949) 951-8808 FAX: (949) 951-3974	
DECIMALS	ANGULAR		
.X ± .1	X° ± 1°	TITLE: CARD EJECTOR KIT/ASSEMBLY	
.XX ± .01		DESIGNED: S. IRVING	DATE: 09/21/1998
.XXX ± .005		REVISION: E	REVISION: E
DRAWING NO: LP-06-1_E		REVISION: E	
REVISOR: A. VALDEZ	DATE: 11/30/2023	SHEET SIZE: A	CAGE CODE: 32559
CHECKED: R. PEREYRA	DATE: 11/30/2023	SCALE: N/A	SHEET # 1 OF 1
CAD GENERATED DOCUMENT, DO NOT MEASURE DRAWING			