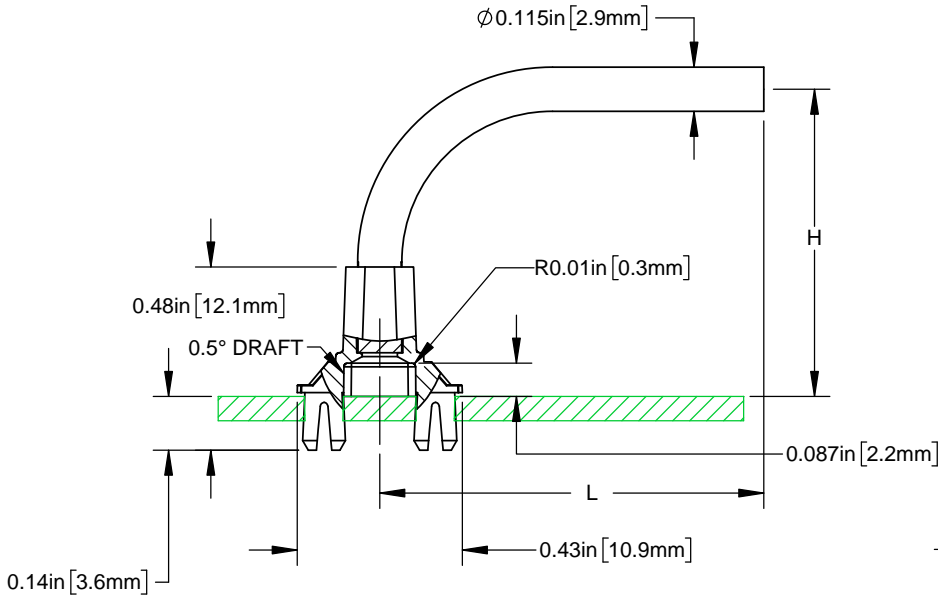
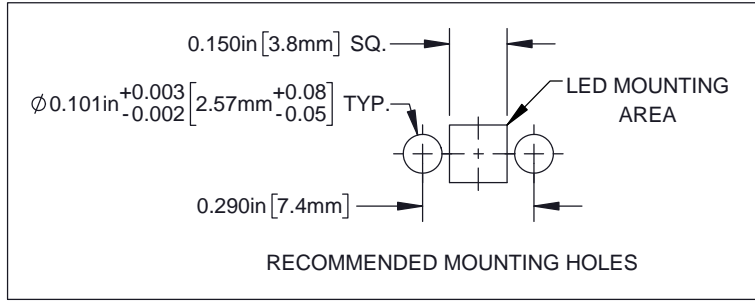
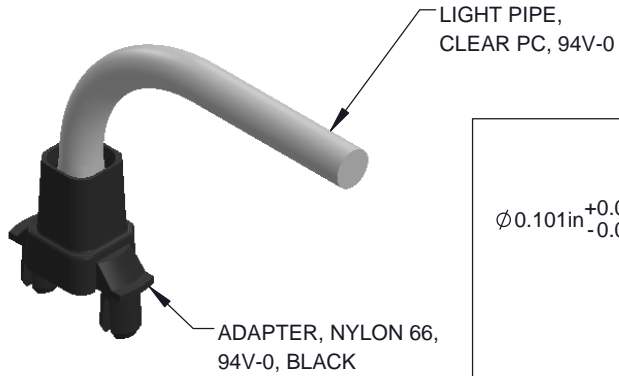
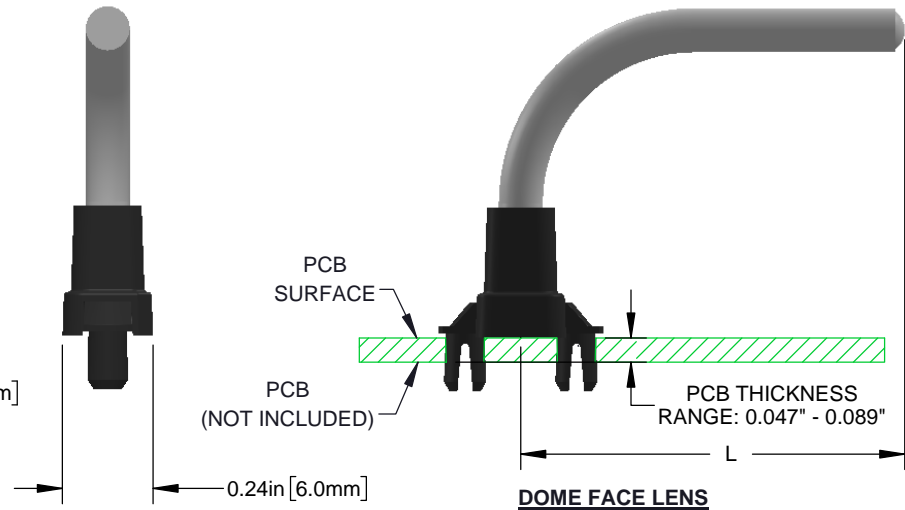


REVISIONS			
REV.	DESCRIPTION	DATE	APPROVED
B	Engineering Release	5/30/2018	G.O.

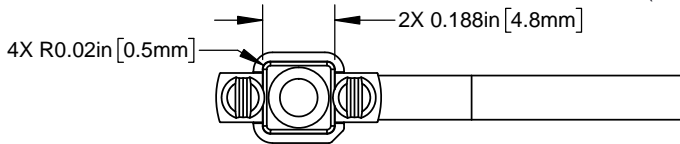


FLAT FACE LENS

DIMENSIONS ARE APPLICABLE TO BOTH LENS FACES UNLESS OTHERWISE NOTED



DOMED FACE LENS



PART NUMBER CONFIGURATION
(SEE PAGE 2, TABLES A & B)
LPR3-XXXX-XXXXXL

LENS FACE
LENGTH, (L)
HEIGHT, (H)

STANDARD TOLERANCE (UNLESS OTHERWISE SPECIFIED)		 4 THOMAS, IRVINE, CA. 92618 TEL: (949) 951-8808 FAX: (949) 951-3974	
DECIMALS	ANGULAR		
.X ± .1	X° ± 1°		
.XX ± .01		TITLE: BIVAR LIGHT PIPE SYSTEM, RIGHT ANGLE FIRM RETENTION, 3MM, SINGLE STATION	REVISION: B
.XXX ± .005			
DESIGNED: K. BARON	DATE: 05/30/18	PART NO: LPR3-XXXX-XXXXXL	
REVISED: N/A	DATE: N/A	CAGE CODE: 32559	
CHECKED: TD. NGUYEN	DATE: 05/30/18	SCALE: 2:1	SHEET # 1 OF 2

CAD GENERATED DOCUMENT, DO NOT MEASURE DRAWING

REVISIONS			
REV.	DESCRIPTION	DATE	APPROVED
	See Sheet 1		

STANDARD ORDERING INFORMATION

TABLE A - FLAT FACE LENS		
PART NO.	H ±.01	L ±.01
LPR3-0800-0700FL	0.800 [20.3mm]	0.700 [17.8mm]
LPR3-0800-1000FL		1.000 [25.4mm]
LPR3-0800-1500FL		1.500 [38.1mm]
LPR3-0800-2000FL		2.000 [50.8mm]
LPR3-0800-2500FL		2.500 [63.5mm]
LPR3-0800-3000FL		3.000 [76.2mm]
LPR3-1000-0700FL	1.000 [25.4mm]	0.700 [17.8mm]
LPR3-1000-1000FL		1.000 [25.4mm]
LPR3-1000-1500FL		1.500 [38.1mm]
LPR3-1000-2000FL		2.000 [50.8mm]
LPR3-1000-2500FL		2.500 [63.5mm]
LPR3-1000-3000FL		3.000 [76.2mm]
LPR3-1250-0700FL	1.250 [31.8mm]	0.700 [17.8mm]
LPR3-1250-1000FL		1.000 [25.4mm]
LPR3-1250-1500FL		1.500 [38.1mm]
LPR3-1250-2000FL		2.000 [50.8mm]
LPR3-1250-2500FL		2.500 [63.5mm]
LPR3-1250-3000FL		3.000 [76.2mm]

TABLE B - DOME FACE LENS		
PART NO.	H ±.01	L ±.01
LPR3-0800-0700DL	0.800 [20.3mm]	0.700 [17.8mm]
LPR3-0800-1000DL		1.000 [25.4mm]
LPR3-0800-1500DL		1.500 [38.1mm]
LPR3-0800-2000DL		2.000 [50.8mm]
LPR3-0800-2500DL		2.500 [63.5mm]
LPR3-0800-3000DL		3.000 [76.2mm]
LPR3-1000-0700DL	1.000 [25.4mm]	0.700 [17.8mm]
LPR3-1000-1000DL		1.000 [25.4mm]
LPR3-1000-1500DL		1.500 [38.1mm]
LPR3-1000-2000DL		2.000 [50.8mm]
LPR3-1000-2500DL		2.500 [63.5mm]
LPR3-1000-3000DL		3.000 [76.2mm]
LPR3-1250-0700DL	1.250 [31.8mm]	0.700 [17.8mm]
LPR3-1250-1000DL		1.000 [25.4mm]
LPR3-1250-1500DL		1.500 [38.1mm]
LPR3-1250-2000DL		2.000 [50.8mm]
LPR3-1250-2500DL		2.500 [63.5mm]
LPR3-1250-3000DL		3.000 [76.2mm]



PART NO: LPR3-XXXX-XXXXXL		REVISION: B
SCALE: N/A	SHEET # 2 OF 2	
CAD GENERATED DOCUMENT, DO NOT MEASURE DRAWING		