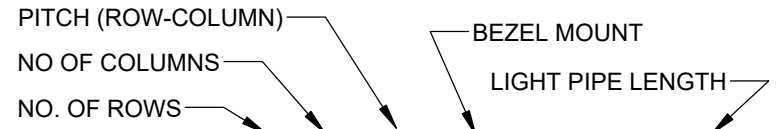
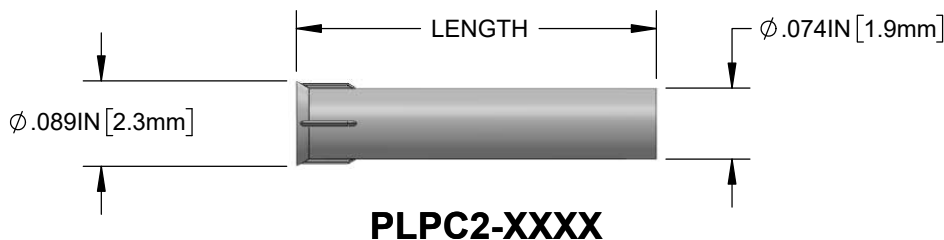
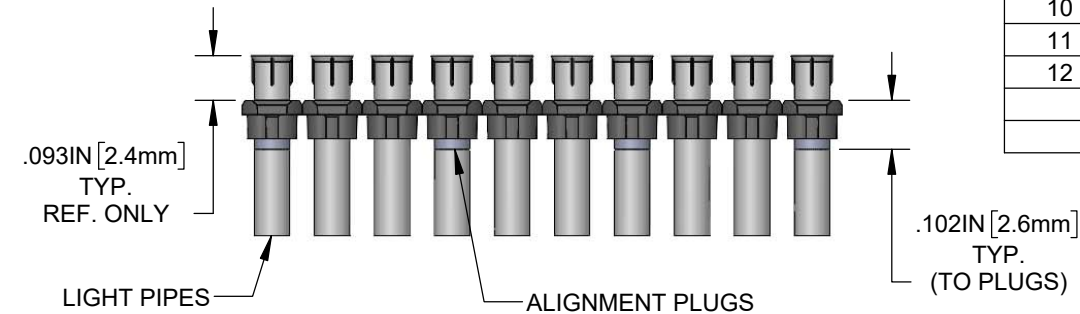
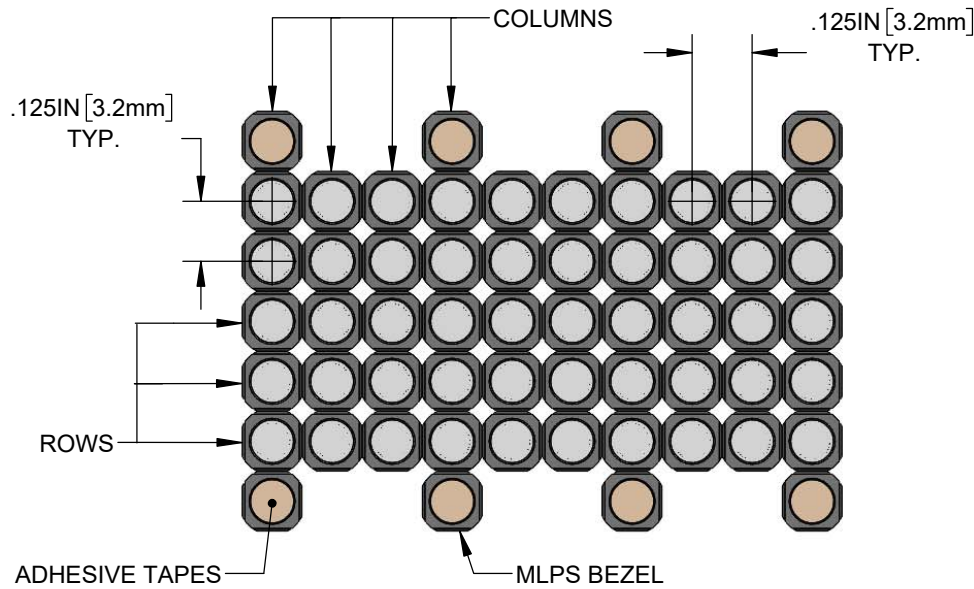


**NOTES:**

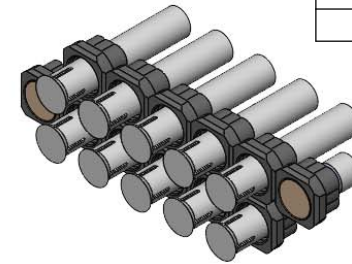
1. BEZEL MATERIAL IS NYLON 6/6, UL94 V-0
2. DOUBLE-SIDED ADHESIVE TAPE MATERIAL IS KRAFT PAPER WITH 3M 9482.
3. LIGHT PIPE IS CLEAR POLYCARBONATE, UL94 V-0.
4. PLPC2-XXXX LIGHT PIPES ARE PACKAGED AND SHIPPED UNASSEMBLED.

REVISIONS			
REV.	DESCRIPTION	DATE	APPROVED
A	ENGINEERING RELEASE	07/19/23	A.V.



**P/N: MLPS - B - 2 - HHJJ - KK - T - PLPC2-XXXX**

ARRAY CONFIGURATION		PITCH (ROW - COLUMN) "KK"			BEZEL MOUNT "T"	LIGHT PIPE LENGTH	
ROWS "HH"	COLUMNS "JJ"	PITCH	ROW "K_"	COLUMN "_K"	2	LENGTH	CODE "XXXX"
01	01	0.000 IN	0	0	4	.188 IN	188
02	02				6	.250 IN	250
03	03	0.125 IN	B	B	8	.313 IN	313
04	04				10	.375 IN	375
05	05				12	.500 IN	500
06	06				14	5.0 mm	5MM
07	07					6.0 mm	6MM
08	08					7.0 mm	7MM
09	09					8.0 mm	8MM
10	10					9.0 mm	9MM
11	11					10.0 mm	10MM
12	12						
	13						
	14						



**PART NO. EXAMPLE:**

**MLPS-B-2-0205-BB-2-PLPC2-375**  
 2 ROWS, 5 COLUMNS  
 .125 X .125 PITCH (ROW-COLUMN)  
 2 BEZEL MOUNTS  
 PLPC2-375 LIGHT PIPE

**CUSTOMER USE DRAWING**

STANDARD TOLERANCE (UNLESS OTHERWISE SPECIFIED)		 4 THOMAS, IRVINE, CA. 92618 TEL: (949) 951-8808 FAX: (949) 951-3974	
DECIMALS .X ± .1 .XX ± .01 .XXX ± .005			
DESIGNED: A.VALDEZ		DATE: 07/19/2023	
REVISION: A		TITLE: MODULAR LIGHT PIPE SYSTEM, BEZEL, PLPC2-XXXX	
DRAWING NO: MLPS-B-2-HHJJ-KK-T-PLPC2-XXXX_A		REVISION: A	
SHEET SIZE: A		CAGE CODE: 32559	
CHECKED: MICHAEL P.		DATE: 07/19/2023	
SCALE: N/A		SHEET # 1 OF 1	