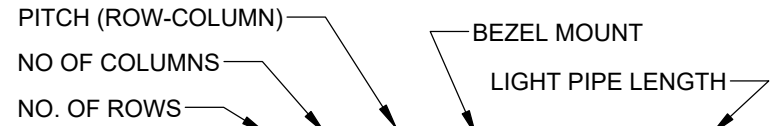
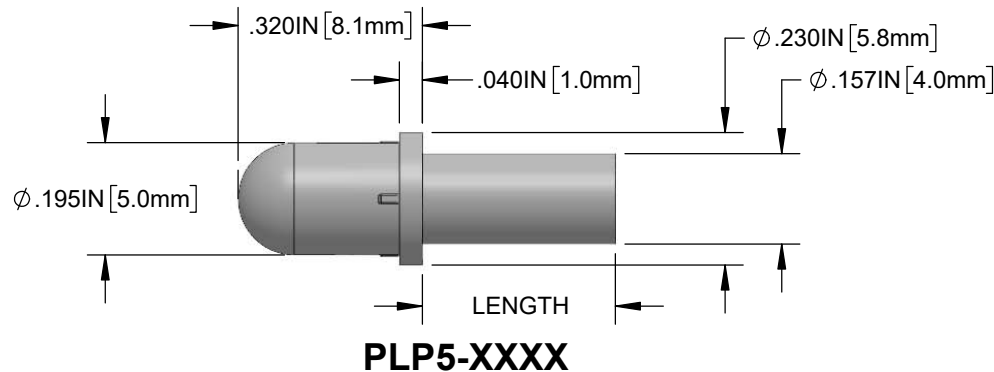
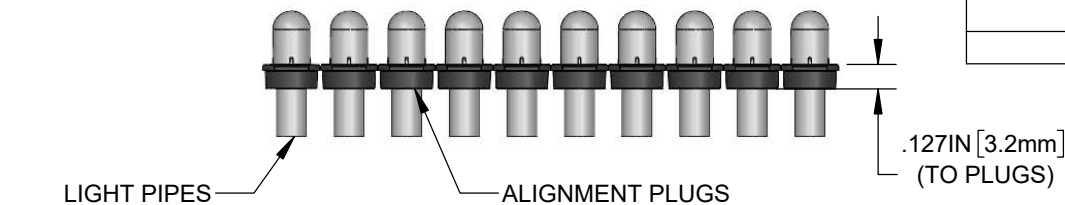
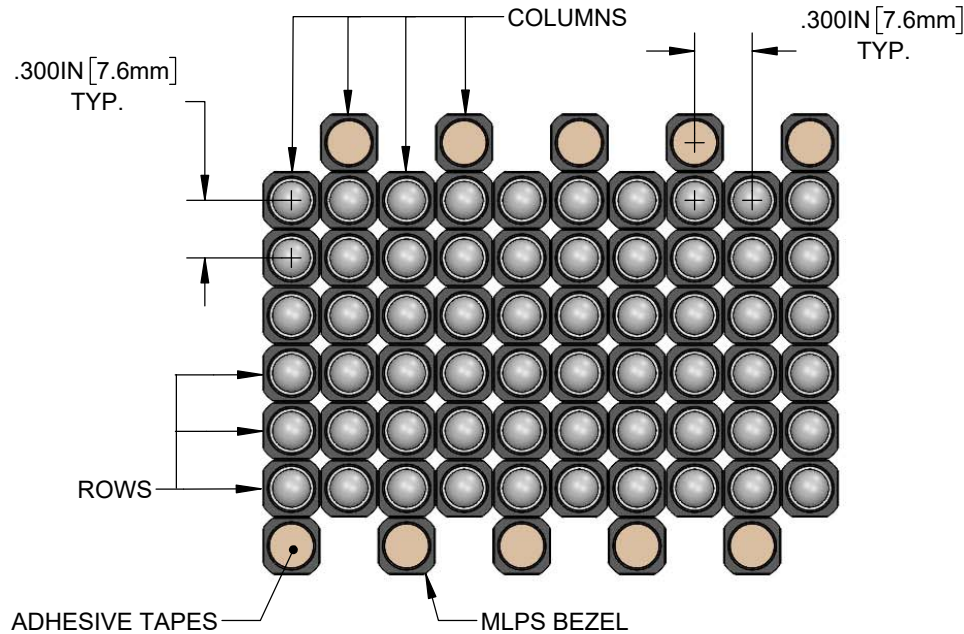


NOTES:

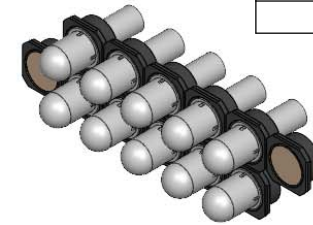
1. BEZEL MATERIAL IS NYLON 6/6, UL94 V-0
2. DOUBLE-SIDED ADHESIVE TAPE MATERIAL IS KRAFT PAPER WITH 3M 9482.
3. LIGHT PIPE IS CLEAR POLYCARBONATE, UL94 V-0.
4. ASSEMBLIES ARE PACKAGED AND SHIPPED ASSEMBLED.

REVISIONS			
REV.	DESCRIPTION	DATE	APPROVED
A	ENGINEERING RELEASE	07/19/23	A.V.



P/N: MLPS - B - 5 - HHJJ - KK - T - PLP5-XXXX

ARRAY CONFIGURATION		PITCH (ROW - COLUMN) "KK"			BEZEL MOUNT "T"	LIGHT PIPE LENGTH	
ROWS "HH"	COLUMNS "JJ"	PITCH	ROW "K_"	COLUMN "_K"	2	LENGTH	CODE "XXXX"
01	01	0.000 IN	0	0	4	.250 IN	250
02	02		0.300 IN	D	D	6	.350 IN
03	03	8		10	.375 IN	375	
04	04	12	14	.500 IN	500		
05	05	.625 IN	625				
06	06	.750 IN	750				
07	07	1.000 IN	1000				
08	08	1.250 IN	1250				
09	09	1.500 IN	1500				
10	10						
11	11						
12	12						
	13						
	14						



PART NO. EXAMPLE:

MLPS-B-5-0205-DD-2-PLP5-375

- 2 ROWS, 5 COLUMNS
- .300 X .300 PITCH (ROW-COLUMN)
- 2 BEZEL MOUNTS
- PLP5-375 LIGHT PIPE

CUSTOMER USE DRAWING

STANDARD TOLERANCE (UNLESS OTHERWISE SPECIFIED)		 4 THOMAS, IRVINE, CA. 92618 TEL: (949) 951-8808 FAX: (949) 951-3974			
DECIMALS	ANGULAR				
.X ± .1	X° ± 1°	TITLE: MODULAR LIGHT PIPE SYSTEM, BEZEL, PLP5-XXXX			
.XX ± .01					
.XXX ± .005		DESIGNED: A.VALDEZ	DATE: 07/19/2023	DRAWING NO: MLPS-B-5-HHJJ-KK-T-PLP5-XXXX_A	REVISION: A
		REVISION:	DATE:	SHEET SIZE: A	CAGE CODE: 32559
CHECKED: MICHAEL P.	DATE: 07/19/2023	SCALE: N/A	SHEET # 1 OF 1		