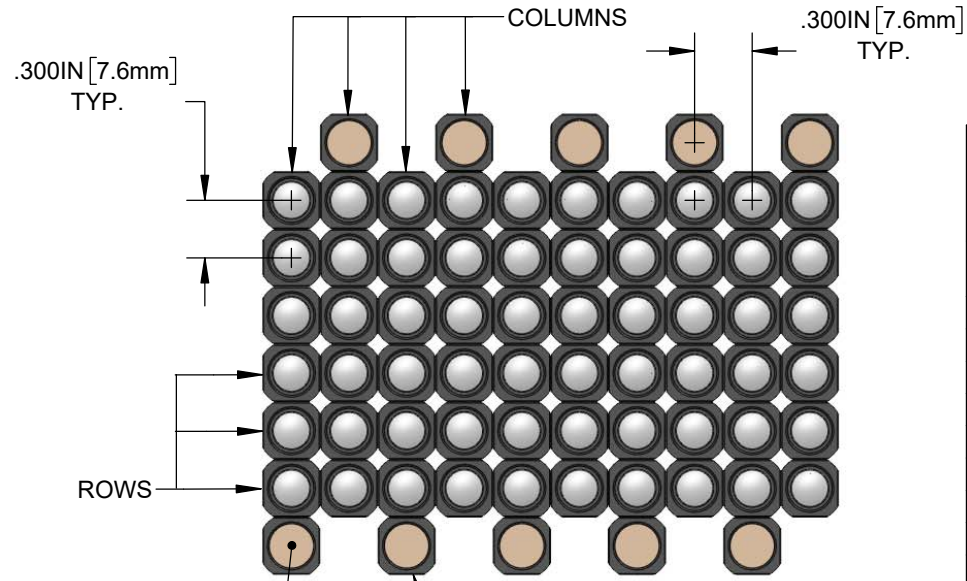


NOTES:

1. BEZEL MATERIAL IS NYLON 6/6, UL94 V-0
2. DOUBLE-SIDED ADHESIVE TAPE MATERIAL IS KRAFT PAPER WITH 3M 9482.
3. LIGHT PIPE IS CLEAR POLYCARBONATE, UL94 V-0.
4. PLW5-XXXX LIGHT PIPES ARE PACKAGED AND SHIPPED UNASSEMBLED.

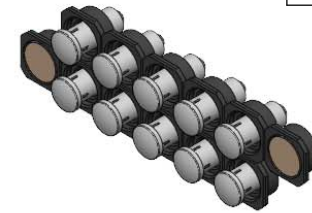
REVISIONS			
REV.	DESCRIPTION	DATE	APPROVED
A	ENGINEERING RELEASE	07/19/23	A.V.



PITCH (ROW-COLUMN)  
 NO OF COLUMNS  
 NO. OF ROWS  
 BEZEL MOUNT  
 LIGHT PIPE LENGTH

**P/N: MLPS - B - 5 - HHJJ - KK - T - PLW5-XXXX**

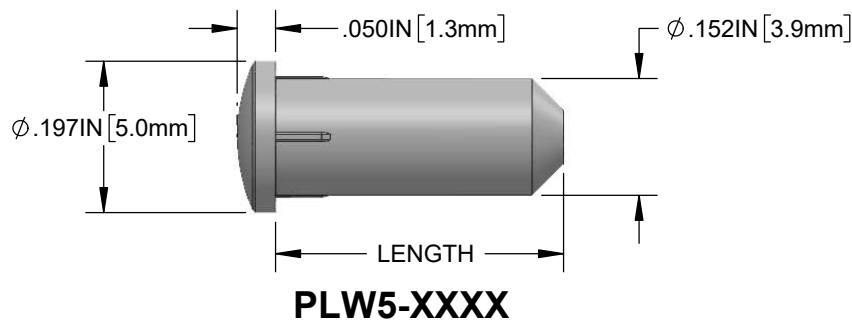
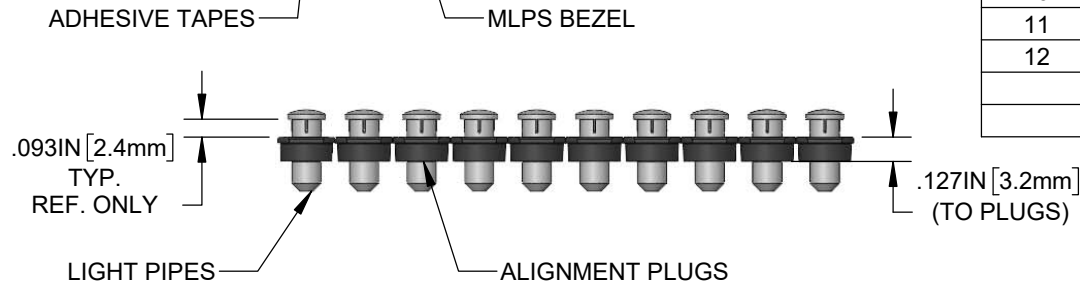
ARRAY CONFIGURATION		PITCH (ROW - COLUMN) "KK"			BEZEL MOUNT "T"	LIGHT PIPE LENGTH	
ROWS "HH"	COLUMNS "JJ"	PITCH	ROW "K_"	COLUMN "_K"	2	LENGTH	CODE "XXXX"
01	01	0.000 IN	0	0	4	.188 IN	188
02	02		0.300 IN	D	D	6	.250 IN
03	03	8		10	.313 IN	313	
04	04	12	14	.375 IN	375		
05	05	.500 IN	5.0 MM	5MM			
06	06	6.0 MM	6MM				
07	07	7.0 MM	7MM				
08	08	8.0 MM	8MM				
09	09	9.0 MM	9MM				
10	10	10.0 MM	10MM				
11	11						
12	12						
	13						
	14						



**PART NO. EXAMPLE:**

**MLPS-B-5-0205-DD-2-PLW5-375**

2 ROWS, 5 COLUMNS  
 .300 X .300 PITCH (ROW-COLUMN)  
 2 BEZEL MOUNTS  
 PLW5-375 LIGHT PIPE



**CUSTOMER USE DRAWING**

STANDARD TOLERANCE (UNLESS OTHERWISE SPECIFIED)		 4 THOMAS, IRVINE, CA. 92618 TEL: (949) 951-8808 FAX: (949) 951-3974	
DECIMALS .X ± .1 .XX ± .01 .XXX ± .005			
DESIGNED: A.VALDEZ		DATE: 07/19/2023	
REVISION: A		TITLE: MODULAR LIGHT PIPE SYSTEM, BEZEL, PLW5-XXXX	
DRAWING NO: MLPS-B-5-HHJJ-KK-T-PLW5-XXXX_A		REVISION: A	
SHEET SIZE A		CAGE CODE: 32559	
CHECKED: MICHAEL P.		DATE: 07/19/2023	
SCALE: N/A		SHEET # 1 OF 1	