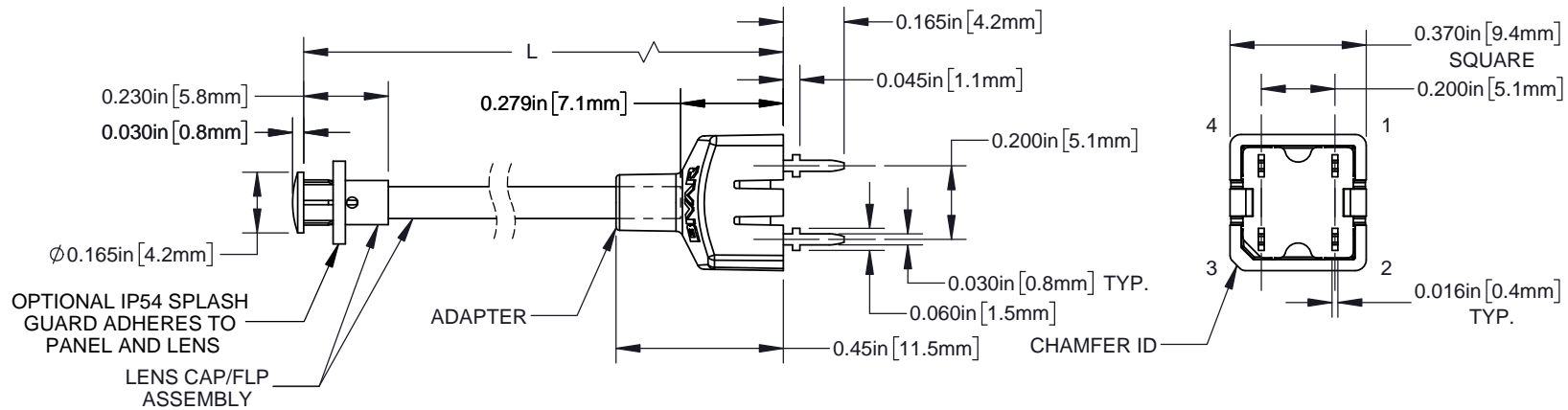


**NOTES:**

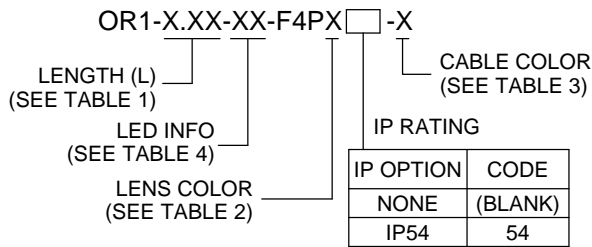
1. ALLOWABLE FLEXIBLE LIGHT PIPE CUT LENGTH AVAILABLE IN INCREMENTS OF 0.05".
2. MINIMUM BEND RADIUS OF FLEXIBLE LIGHT PIPE: 0.87" [22mm].
3. COMPONENTS SHIPPED NON-ASSEMBLED.
4. SEE SHEET 2 FOR DETAILED ASSEMBLY INSTRUCTIONS TO ACHIEVE OPTIMUM FUNCTION OF SPLASH GUARD

REVISIONS			
REV.	DESCRIPTION	DATE	APPROVED
A	Engineering Release	08/26/2019	A.V.



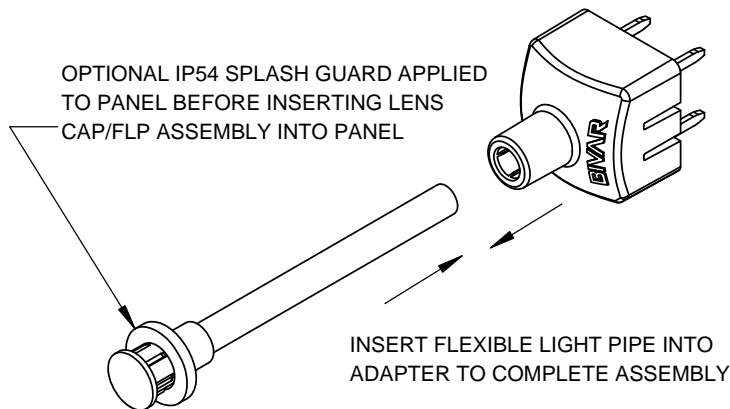
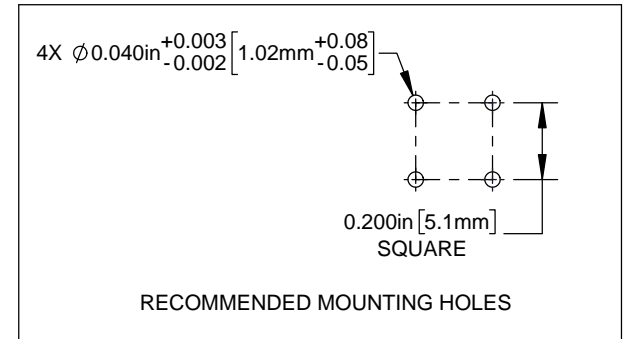
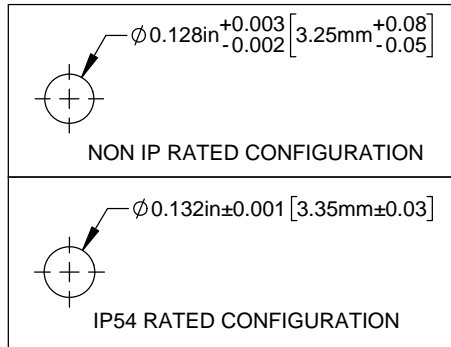
**PART NUMBER CONFIGURATOR**

SEE SHEET 2 FOR ORDERING INFORMATION



\*ADD RP SUFFIX TO PART NUMBER FOR REVERSE POLARITY.

**RECOMMENDED LENS MOUNTING HOLE**



**CUSTOMER USE DRAWING**

STANDARD TOLERANCE (UNLESS OTHERWISE SPECIFIED)		 4 THOMAS, IRVINE, CA. 92618 TEL: (949) 951-8808 FAX: (949) 951-3974			
DECIMALS	ANGULAR				
.X ± .1	X° ± 1°	TITLE: FLP ASSEMBLY WITH ORCA ADAPTER, LC			
.XX ± .02					
.XXX ± .010		DESIGNED: K. BARON	DATE: 08/26/19	DRAWING NO: OR1-X.XX-XX-F4PX-X	REVISION: A
		REVISED: N/A	DATE: N/A	SHEET SIZE: A	CAGE CODE: 32559
		CHECKED: A. VALDEZ	DATE: 08/26/19	SCALE: 2:1	SHEET # 1 OF 2

CAD GENERATED DOCUMENT, DO NOT MEASURE DRAWING

TABLE 1 - LENGTH	
LENGTH (L)*	TOLERANCE
1.00" - 16.00"	±0.05"
16.05" - 40.00"	±0.15"
40.05" - 80.00"	±0.30"
80.05" - 3,940.00"	±0.5%

\*AVAILABLE IN 0.05" INCREMENTS

TABLE 2 - LENS	
ORDER CODE	LENS APPEARANCE
(BLANK)	CLEAR
D	DIFFUSED
S	SMOKED
BE	TINTED BLUE
GN	TINTED GREEN
RD	TINTED RED
YW	TINTED YELLOW

TABLE 3 - CABLE	
ORDER CODE	CABLE COLOR
(BLANK)	BLACK
2	RED
4	YELLOW
5	GREEN
6	BLUE
9	WHITE

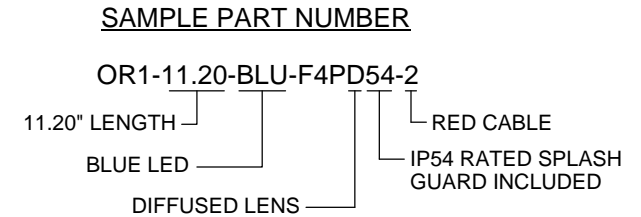
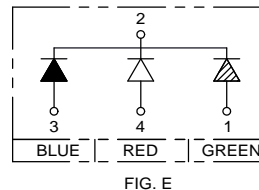


TABLE 4 - LED INFORMATION									
Assembly P/N	Emitted Color	Dominant Wave Length $\lambda_d$ (nm) / CCT(K) Min-Max	Vf (V)			Iv (mcd)		LED P/N	Polarity Diagram
			Min.	Typ.	Max.	Min.	Typ.		
<b>SINGLE COLOR LED ASSEMBLIES (20mA)</b>									
OR1-X.XX-BLU-F4PX-X	BLUE	465-475	2.7	3.2	3.6	5000	8000	R20BLU-4-0045	FIG. A
OR1-X.XX-GRN-F4PX-X	GREEN	517-527	2.7	3.2	3.6	15000	25000	R20GRN-4-0045	FIG. A
OR1-X.XX-WHT-F4PX-X	WHITE	6000K	2.7	3.2	3.6	10000	16000	R20WHT-4-0045	FIG. A
<b>SINGLE COLOR LED ASSEMBLIES (50mA)</b>									
OR1-X.XX-RED-F4PX-X	RED	620-635	1.8	2.4	2.6	12000	18000	R50RED-4-0045	FIG. A
OR1-X.XX-YLW-F4PX-X	YELLOW	588-596	1.8	2.4	2.6	12000	18000	R50YLW-4-0045	FIG. A
<b>BI-COLOR LED ASSEMBLIES (50mA)</b>									
OR1-X.XX-RG-F4PX-X	RED	617-630	1.8	2.4	2.6	3000	4000	R50RG2-4-0045	FIG. B
	GREEN	515-525	3.0	3.4	3.8	6000	10000		
OR1-X.XX-RB-F4PX-X	RED	617-630	1.8	2.4	2.6	3000	4000	R50RB2-4-0045	FIG. C
	BLUE	460-470	3.0	3.4	3.8	1000	3000		
OR1-X.XX-BG-F4PX-X	BLUE	460-470	3.0	3.4	3.8	1000	3000	R50BG2-4-0045	FIG. D
	GREEN	515-525	3.0	3.4	3.8	6000	10000		
OR1-X.XX-RGB-F4PX-X	RED	617-630	1.8	2.4	2.6	3000	4000	R50RGB-4-0045	FIG. E
	GREEN	515-525	3.0	3.4	3.8	6000	10000		
	BLUE	460-470	3.0	3.4	3.8	1000	3000		

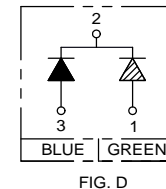
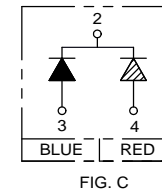
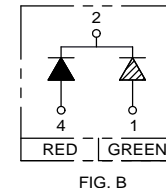
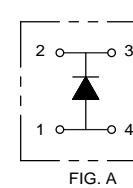
**ABSOLUTE MAXIMUM RATINGS (Ta=25 C)**

REVERSE VOLTAGE \_\_\_\_\_ 5V  
 REVERSE CURRENT \_\_\_\_\_ 10uA  
 OPERATING TEMPERATURE RANGE \_\_\_\_\_ -25°C ~ +80°C  
 STORAGE TEMPERATURE \_\_\_\_\_ -30°C ~ +80°C  
 LEAD SOLDERING TEMPERATURE (1/16" FROM BODY) \_\_\_\_\_ 260°C FOR 5 SECONDS



**ASSEMBLY INSTRUCTIONS TO ACHIEVE OPTIMUM FUNCTION OF SPLASH GUARD:**

- CLEAN PANEL SURFACE AROUND MOUNTING HOLE WITH ALCOHOL
- PEEL LINER OFF TOP OF THE SPLASH GUARD WHILE KEEPING SPLASH GUARD ON PLASTIC ROLL
- APPLY SPLASH GUARD TO PANEL HOLE AS CENTERED AS POSSIBLE AND PEEL PLASTIC LINER SLOWLY AWAY
- INSERT LIGHT PIPE INTO PANEL UNTIL SPLASH GUARD MATERIAL IS COMPRESSED BETWEEN LENS AND PANEL
- HOLD FOR A FEW SECONDS TO ENSURE ENTIRE SPLASH GUARD ADHERES TO PANEL AND LENS FLANGE SURFACE



**CUSTOMER USE DRAWING**

<b>CAGE CODE:</b> 32559		<b>DRAWING NO.:</b> OR1-X.XX-XX-F4PX-X		<b>REVISION:</b> A
		<b>SHEET SIZE:</b> A		SCALE: 2:1
		<b>SHEET # 2 OF 2</b>		CAD GENERATED DOCUMENT, DO NOT MEASURE DRAWING

