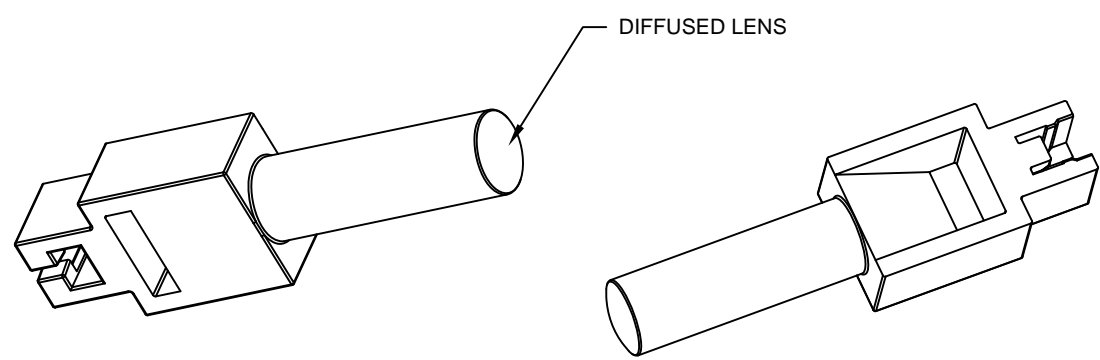
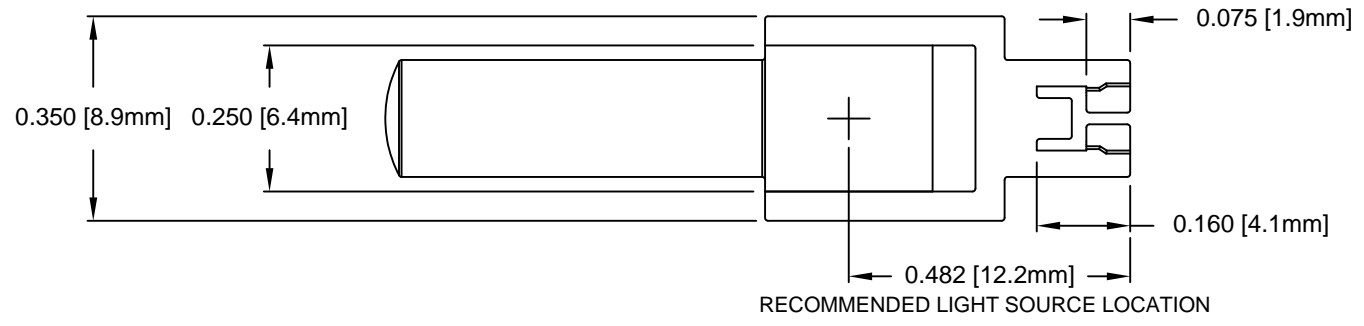
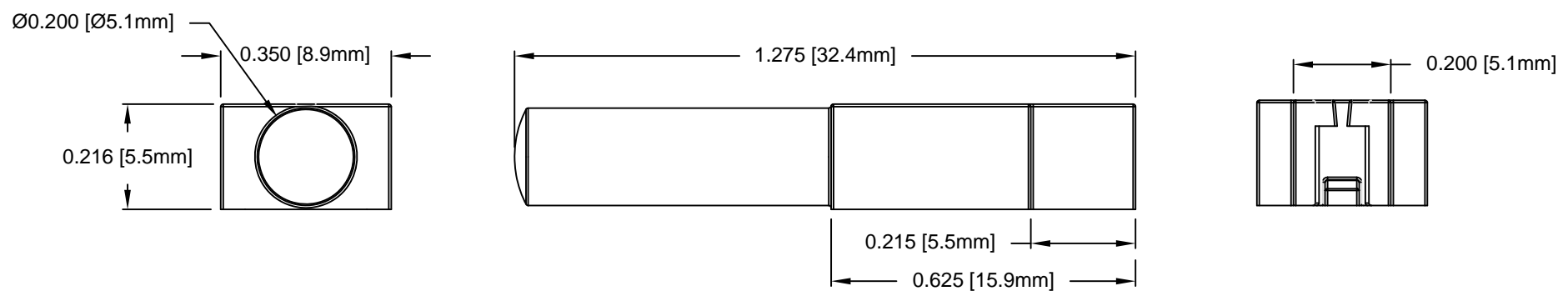



REV.	DESCRIPTION	DATE	APPROVED
A	Engineering Release	02/21/07	M. C.
B	Added Bivar Mat'l Code	01/07/11	T. Y.
C	Removed Note 3 & Matil Code	03/28/16	J. C.



2. MATERIAL: ABS / PC ALLOY, 94V-0, WHITE.
1. GENERAL SPECIFICATIONS: BIVAR MOLDED COMPONENT SPECIFICATION BV00-E101.

STANDARD TOLERANCE (UNLESS OTHERWISE SPECIFIED)		 4 THOMAS, IRVINE, CA. 92618 TEL: (949) 951-8808 FAX: (949) 951-3974	
DECIMALS	ANGULAR		
.X ± .1	X° ± 1°	TITLE: PBLP-1001 w/ PC/ABS material	
.XX ± .01			
.XXX ± .005		DESIGNED: T. Yin DATE: 02/21/07 PART NO: PBLP-1001-1 REVISION: C	
CHECKED: M. Chen DATE: 02/21/07		CAGE CODE : 32559 SHEET # 1 OF 1	
CAD GENERATED DOCUMENT. DO NOT MEASURE DRAWING.			