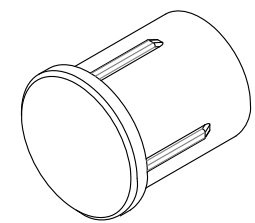
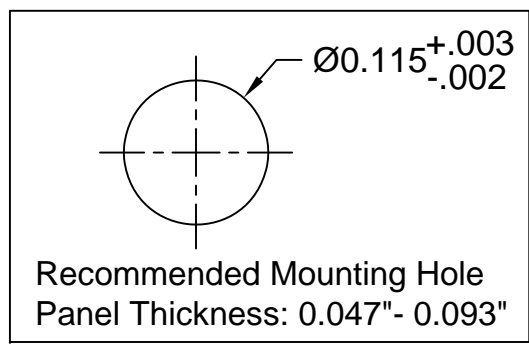
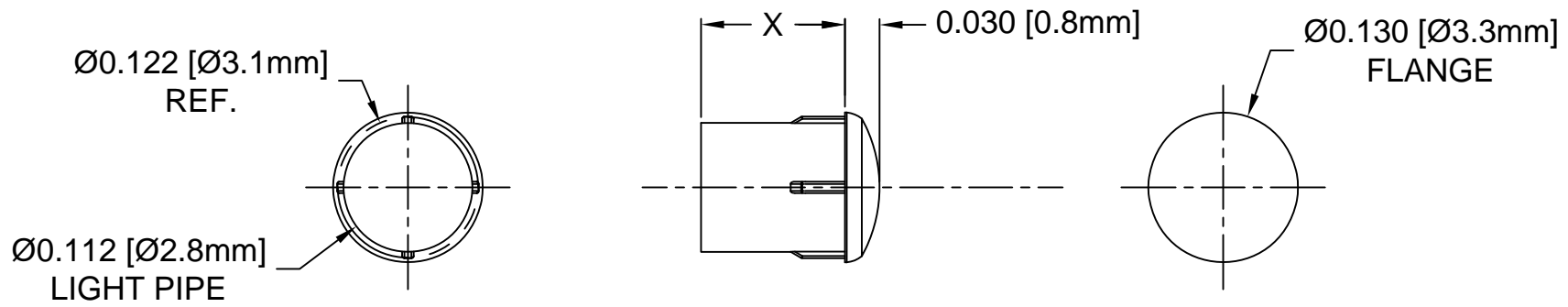

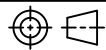


Part No.	X = Body Length
PLP2-100-S	0.100 ( 2.5mm )
PLP2-125-S	0.125 ( 3.2mm )
PLP2-2.5MM-S	2.5mm ( 0.100" )
PLP2-3MM-S	3mm ( 0.118" )

REV.	DESCRIPTION	DATE	APPROVED
A	Engineering Release	07/15/15	J. C.



- 2. MATERIAL: POLYCARBONATE, 94V-0, BLACK DIFFUSED.
- 1. GENERAL SPECIFICATIONS: BIVAR MOLDED COMPONENT SPECIFICATION BV00-E101 and BSMC-1001.

STANDARD TOLERANCE ( UNLESS OTHERWISE SPECIFIED )		 4 THOMAS, IRVINE, CA. 92618 TEL: (949) 951-8808 FAX: (949) 951-3974	
DECIMALS	ANGULAR		
.X ± .1	X° ± 1°		<b>TITLE:</b> PRESS-FIT, PANEL MOUNT, LIGHT PIPE, FRONT MOUNT, SMOKED
.XX ± .01			
.XXX ± .005		<b>DESIGNED:</b> <b>Brian Oliver</b>	<b>DATE:</b> <b>04/02/15</b>
<b>CHECKED:</b> <b>A. Wright</b>		<b>DATE:</b> <b>04/02/15</b>	<b>PART NO:</b> PLP2-XXX-S <b>REVISION:</b> A
		<b>CAGE CODE :</b> 32559	<b>SHEET #</b> 1 <b>OF</b> 1
CAD GENERATED DOCUMENT. DO NOT MEASURE DRAWING.			