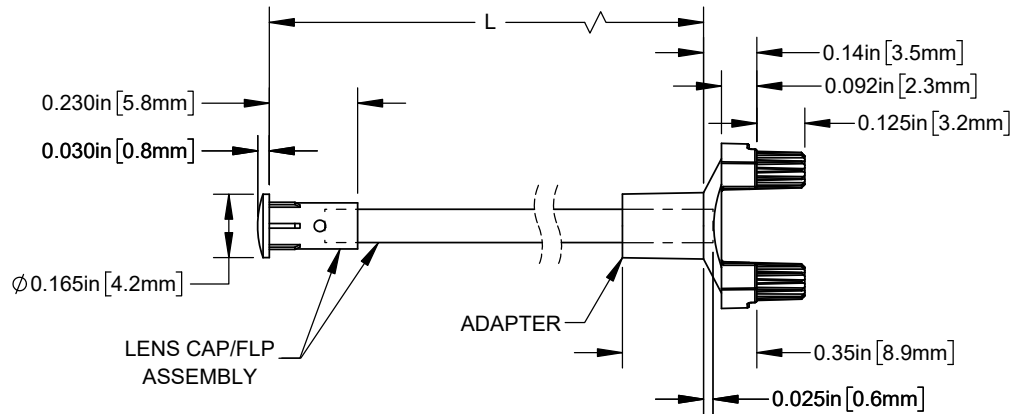
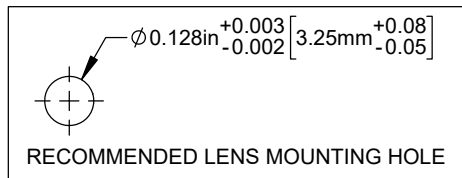
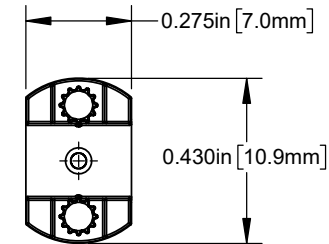


NOTES:

1. ALLOWABLE FLEXIBLE LIGHT PIPE CUT LENGTH AVAILABLE IN INCREMENTS OF 0.05".
2. MINIMUM BEND RADIUS OF FLEXIBLE LIGHT PIPE: 0.87" [22mm].
3. COMPONENTS SHIPPED NON-ASSEMBLED.
4. MINIMUM 0.210" FIBER INSERTION INTO SMFLP.

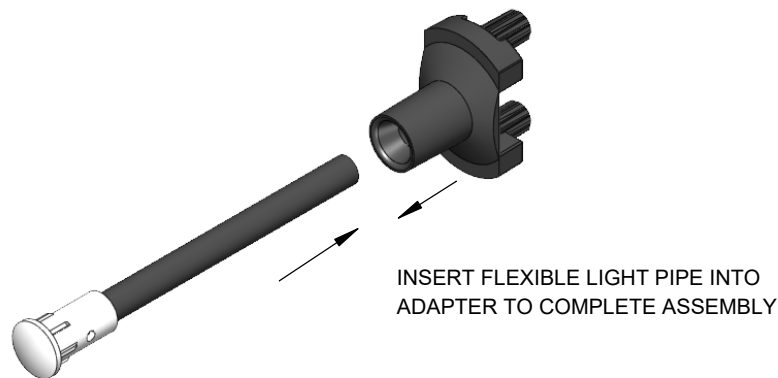
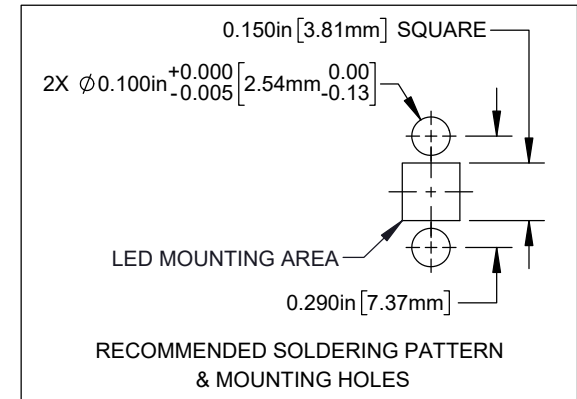


REVISIONS			
REV.	DESCRIPTION	DATE	APPROVED
E	Updated FLPC Hidden View	8/27/2008	M.C.
F	Updated Fiber To FLPS In BOM	11/12/2012	T.Y.
G	Updated Notes	5/17/2013	T.Y.
H	ECO-1241: Updated Recommended Mounting Holes	4/15/2024	A.V.
J	ECO-1259: Updated MFG Drawing	5/22/2024	A.V.



LENGTH (L)*	TOLERANCE
1.00" - 16.00"	±0.05"
16.1" - 40.00"	±0.15"
40.1" - 80.00"	±0.30"
80.1" - 3,940.00"	±0.5%

*AVAILABLE IN 0.1" INCREMENTS



CUSTOMER USE DRAWING

STANDARD TOLERANCE (UNLESS OTHERWISE SPECIFIED)		 4 THOMAS, IRVINE, CA. 92618 TEL: (949) 951-8808 FAX: (949) 951-3974	
DECIMALS	ANGULAR		
.X ± .1	X° ± 1°	TITLE: FLP ASSEMBLY WITH SMFLP ADAPTER, LC	
.XX ± .02		DESIGNED: D. GREEN	DATE: 4/17/2006
.XXX ± .010		REVISION: J	
DRAWING NO: SMFLPX.X		CAGE CODE: 32559	
DESIGNED: K. BARON	DATE: 5/22/2024	SHEET SIZE: A	
CHECKED: A. VALDEZ	DATE: 5/22/2024	SCALE: 2:1	SHEET # 1 OF 1

CAD GENERATED DOCUMENT, DO NOT MEASURE DRAWING