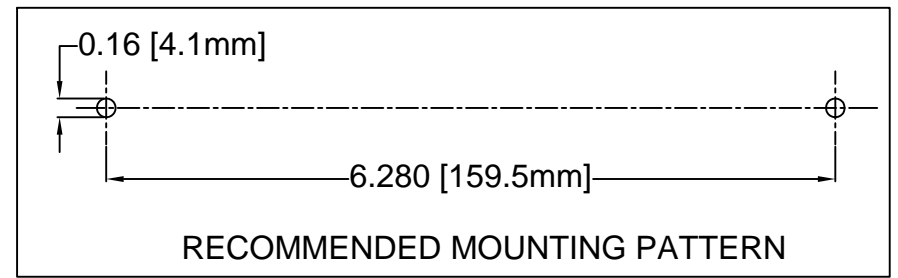
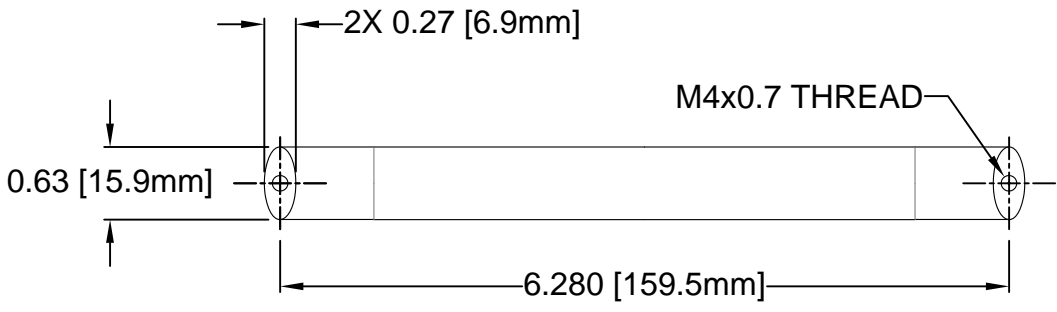
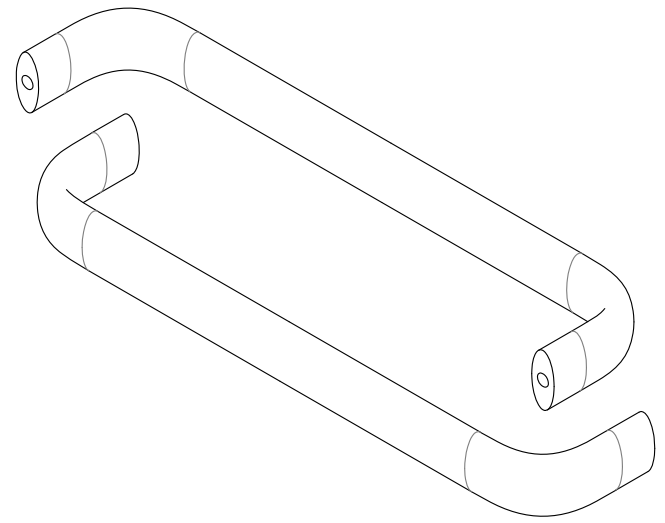
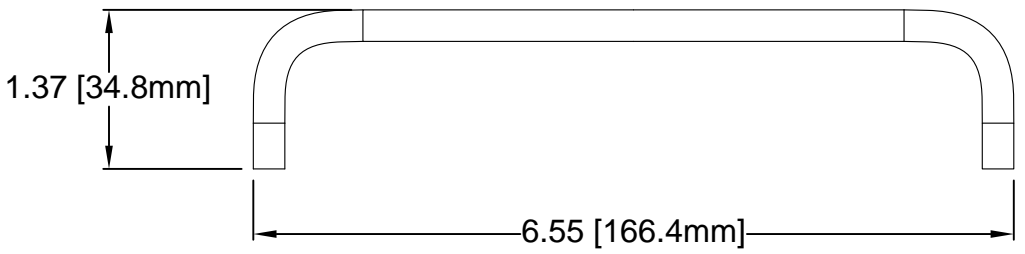
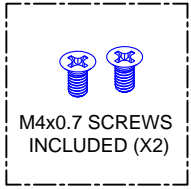


REV.	DESCRIPTION	DATE	APPROVED
<b>A</b>	Engineering Release	<b>07/17/14</b>	<b>J. C.</b>
<b>B</b>	Corrected Part Number Typo	<b>06/11/15</b>	<b>J. C.</b>
<b>C</b>	Engineering Update w/o Changes	<b>05/21/16</b>	<b>J. C.</b>



**NOTES**  
 2. MOUNTING HARDWARE SHIPPED UNASSEMBLED  
 1. MATERIAL: ALUMINUM

STANDARD TOLERANCE (UNLESS OTHERWISE SPECIFIED)		 4 THOMAS, IRVINE, CA. 92618 TEL: (949) 951-8808 FAX: (949) 951-3974	
DECIMALS	ANGULAR		
.X ± .1	X° ± 1°		TITLE: 4U SUBRACK HANDLE, OVAL
.XX ± .02			DESIGNED: <b>A. Wright</b>
.XXX ± .010		CHECKED: <b>B. Oliver</b>	DATE: <b>07/17/14</b>
		PART NO: <b>SRH-4RUO</b>	REVISION: <b>C</b>
		CAGE CODE : <b>32559</b>	SHEET # <b>1</b> OF <b>1</b>
CAD GENERATED DOCUMENT. DO NOT MEASURE DRAWING.			